

# Business Practice Manual for Metering

Version ~~224~~

Revised: ~~042/1404~~/2021

## Approval History

Approval Date : 7/25/2019

Effective Date : 11/13/2019

BPM Owner : Heather Kelly

BPM Owner's Title : Director, Market Services Production

## Revision History

<u>Version 22</u>		<u>4/14/2021</u>	<u>New Section 6.1.5</u> <u>Added information for ELAP calculation</u> <u>Updated Section 5.1.1 to include DCF requirement</u>
Version 21	<u>1326</u>	2/4/2021	Updated Section 3.4 Added requirement of backup meter for loss compensation schemes.  New Section 4.4 Psuedo-ties for shared resources.
Version 20	<u>1266</u>	10/1/2020	Updated sections 12, 12.1-12.3 ESDER 3B  New Section 4.3 Added new requirements for FERC 841  Updated Section 3.2.3.4 and 6.1 Clarified PE stamp requirement  Updated Section 5.3 Removed the MW limit for Internet connected sites to match the Telemetry BPM.  Updated Section 9.4 Referenced Section 3.2.2 for consistency  Updated Section 6.2 Excess Behind the Meter Generation  Updated Sections 4.2, 5.1, 6.2, 10.8 and 12.1 Meter data submission and settlement statement timelines are updated because of Market Settlement Timeline Transformation Initiative effective 1/1/2021.

Version 19	<a href="#">1260</a>	7/25/2019	<p>Updated section 6.</p> <p>Added verbiage to 6.4.2 clarifying the one year lookback for SC Self-Audits</p> <p>Updated section 12.</p> <p>Moved the following sections to BPM for Demand Response: 12.1, 12.2, 12.3, 12.3.1, 12.4.1, 12.5, 12.6, 12.8.4 (with some changes), 12.10 (with slight modifications), and 12.11 (with some changes).</p> <p>Removed the following sections: 12.4, 12.4.2, 12.7.2, 12.7.2.1, 12.7.2.2, 12.8.1, 12.8.2, 12.8.3 and 12.</p>
18	<a href="#">1253</a>	5/24/2018	<p>Sections 6.1.4 and 6.4.2 Added verbiage to reflect a new digital signature process.</p> <p>Section 7 modified existing verbiage change the name of the PGA from Qualifying Facility Participating Generator Agreement to Net Scheduled Participating Generator Agreement</p> <p>Section 12 added verbiage to reflect the changes with the implementation of ESDER2 and I updated 12.9 to reflect the process for the Load Point Adjustment Exemption process.</p> <p>Section 4.1 Updated Station Power language.</p>

17	1006	10/27/2017	<p>1.1: Removed redundant language</p> <p>3.2.3.4: Corrected language</p> <p>4.2.1: Added new section for SQMD corrections</p> <p>5.1.2: Removed redundant language</p> <p>5.1.3: Clarified language</p> <p>5.1.4: Clarified language</p> <p>6: Removed inaccurate bullet</p> <p>6.1: Clarified language</p> <p>6.1.4: Removed reference to the SC Self Audit, provided more clarity on the requirements of the SQMD Plan Affirmation.</p> <p>6.2: Removed references to MRI-S and replaced with Settlement Quality Meter Data Systems (SQMDS)</p> <p>6.2.1: Removed references to MRI-S and replaced with Settlement Quality Meter Data Systems (SQMDS)</p> <p>6.2.1.3: Removed references to MRI-S and replaced with Settlement Quality Meter Data Systems (SQMDS)</p> <p>6.2.2: Removed references to MRI-S and replaced with Settlement Quality Meter Data Systems (SQMDS)</p> <p>6.4.2: Changed the requirement from annual to bi-annual and clarified the requirements.</p> <p>12.1: Clarified the requirements for electing and MGO baseline methodology</p> <p>12.7.1: Clarified requirements</p> <p>12.7.1.3: Clarified requirements</p>
----	------	------------	---

Version 16	963	April 10, 2017	<p>2.1: Modified existing verbiage "polled" to "collected"</p> <p>Exhibit 2-1: Updated diagram to reflect "SQMD" plan</p> <p>Exhibit 2-2: Updated diagram</p> <p>3.2.2: Updated to reflect absence of LRA requirements;</p> <p>3.2.3.3: Added Tariff reference; updated verbiage to reflect "certification of its Metering Facilities is a CAISO Authorized Inspector of time of inspection"; removed reference of manager of Operations Support.</p> <p>3.2.3.5: added clarification regarding MSVS</p> <p>3.2.3.7: modified title from "Certification Testing &amp; Issuance of Certificate of Compliance" to "Certification Testing"; added NRI reference.</p> <p>3.2.3.8: Moved existing "Metering Facility Maintenance" and created new section 3.2.2.10 added to verbiage and replaced with new "Certificate of Compliance" section</p> <p>3.2.3.9: removed verbiage "in full or in part any" related to Certificate of Compliance" statement" leaving only "CAISO may revoke Certificate of Compliance if"</p> <p>3.2.2.10:"Metering Facility Maintenance" moved from 3.2.3.8</p> <p>3.2.2.11: Reformatted "Modification to Metering Facilities" with new numbering due to previous added section; added NRI process reference</p> <p>3.2.3.1: removed sections and incorporated verbiage within 3.2.4</p> <p>3.2.3.2: removed sections and incorporated verbiage within 3.2.4</p> <p>3.2.4: Added Tariff reference and new verbiage</p> <p>3.3: Added NRI reference</p> <p>3.3.1: updated format</p> <p>3.3.2: updated format</p>
------------	-----	----------------	---

			<p>3.4: added verbiage "obtain revenue quality meter data associated with"; removed "meters on a daily basis".</p> <p>4.1: removed verbiage "for Station Power and"; removed reference to section 10</p> <p>4.1.1: added "kWh or" to statement</p> <p>4.3: removed section and incorporated in related sections (ISOME 5.1.2, SCME 6.2.1)</p> <p>5: Update verbiage; replace "revenue" with CAISO certified"</p> <p>5.1: removed statement referencing section 3.2.2. and 3.2.4.2</p> <p>5.1.1: added Tariff reference including RMDAPS verbiage</p> <p>5.1.2: added Tariff reference and related Tariff Language to cover removal of section 4.3</p> <p>5.1.3: removed verbiage "currently OMAR On-Line or web access or OMAR through FTP"</p> <p>5.1.4: added verbiage "Resolution of" and "Submit To"</p> <p>5.1.5: removed verbiage "including communication devices"</p> <p>6: Updated "Responsibilities" section to include "Settlement Quality Meter Data Plan"; removed possible requirement section; removed statement covering "Scheduling Coordinators that represent..." incorporated within section 6.2.....</p> <p>6.1: Added new section "Settlement Quality Meter Data Plan"</p> <p>6.1.1: Added new section "CAISO Review of SQMD Plan"</p> <p>6.1.1.1: Removed "Loss Factor" incorporated into new updated section 6.2.1.1;</p>
--	--	--	---

			<p>6.1.1.2: Moved "Approved Load Profile Authorization" incorporated into new updated section 6.2.1.2;</p> <p>6.1.2 Moved "Access to Settlement Quality Meter Data Systems" incorporated into new updated section 6.2.1; replaced with new section "SQMD Plan Modifications"</p> <p>6.1.3: Moved "Process for Submittal &amp; Resubmittal of Settlement Quality Meter Data" to 6.2.1.3; replaced with new section "SQMD Plan Audits and CAISO Remedies"</p> <p>6.1.4: Moved "Failure to Submit Accurate Settlement Quality Meter Data" to 6.2.4; replaced with new section "Annual Affirmation"</p> <p>6.2: Incorporated previous 6.1, modified verbiage, removed "Provision of" from previous title incorporate language removed from 6 "Responsibilities"; added verbiage to capture requirements associated with Tariff 10.3.14.1 and BPM 9.3</p> <p>6.2.1: previous 6.1.1; updated title from "Settlement Quality Meter data Submission Format &amp; Timing" to "Settlement Quality Meter data Format"; added clarification to SQMDS (OMAR) verbiage; incorporated new Tariff language section 10.3.2.2 previously addressed in 4.3</p> <p>6.2.1.1: reformatted numbering "Loss Factor"</p> <p>6.2.1.2: reformatted numbering "Approved Load Profile Authorization"</p> <p>6.2.1.3: reformatted numbering "Access to Settlement Quality Meter Data Systems (SQMDS)"</p> <p>6.2.2: created new section addressing "Settlement Quality Meter Data Submission Timing" previously captured in section 6.2.1; added formatting</p> <p>6.2.3: created new section addressing "Process for Submittal &amp; Resubmittal of Settlement Quality Meter Data" previously captured under 6.1.3; removed "Standard Time either hourly time stamped reference"</p>
--	--	--	---



			<p>6.2.4: Incorporated from 6.1.4 "Failure to Submit Accurate Settlement Quality Meter Data"</p> <p>6.3: Incorporated from 6.2 "Certification of Meters"</p> <p>6.3.1: Scheduling Coordinator Self Audit Report" Moved to 6.4.2</p> <p>6.4: Incorporated from 6.3 Audit and Testing; removed verbiage "Scheduling Coordinators representing....." created individual subtasks addressing each type of Audit &amp; Testing i.e. Facilities &amp; SC-Self Audit.</p> <p>6.4.1: Added new subtask "Audit &amp; Testing of Metering Facilities" with new Tariff reference &amp; language</p> <p>6.4.2: Incorporated from 6.3.1 "Scheduling Coordinator Self-Audit Report"</p> <p>6.4.3: Incorporated from 6.3.2 "Audit &amp; Testing by CAISO"</p> <p>8.2: Formatting only</p> <p>8.3 Formatting only</p> <p>9.3: Added verbiage to reflect UFE direct polling by RMDAPS</p> <p>10.1: Removed the verbiage "Netting" throughout section due to inappropriate term/reference; modified footnote to reflect change;</p> <p>10.6: Removed reference to "Section 4.1" (4.1 updated to reflect such)</p> <p>10.7 Footnote updated to reflect "Station Power Program"</p>
Version 15	930 & 933	October 1, 2016	<p><b>PRR 930 &amp; 933</b></p> <p><b>Section 3.2.3.5</b> (Meter Facility Site Acceptance, Verification, &amp; Meter Test) - Updates made to reflect the correct document name.</p> <p><b>Section 5.1.2</b> (Format &amp; Collection of Meter Data) - Modified existing language on the 2nd paragraph.</p> <p><b>Section 5.1.3</b> (Access to Settlement Quality Meter Data) - Added clarification language.</p>

			<p><b>Section 6.1</b> (Provision of Settlement Quality Meter Data - Additional language to include reference to Distributed Energy Resource Aggregations.</p> <p><b>Section 6.1.1</b> (Settlement Quality Meter Data Submission Format &amp; Timing) – Made the following modifications: (1) Added clarification language regarding the new submission system, methodologies, and format, (2) Added distinctions between the existing and new submission systems, (3) Added clarification language regarding the submission limitation and Rules of Conduct consequences, (4) Added an example of the GMT format, (5) Removed 2 screenshots related to the 2011 trade dates guidelines, (5) Re-numbered the sub sections.</p> <p><b>Section 6.1.2</b> (Access to Settlement Quality Meter Data Systems) – Added clarification language related to the user access and certificate.</p> <p><b>Section 6.1.3</b> (Process for Submittal &amp; Resubmittal of Settlement Quality Meter Data) – Added language regarding MRI-S submission format.</p> <p><b>Section 8.1.1</b> (Publication of Guidelines) – Updated url.</p> <p><b>Section 8.1.2</b> (Metering Exemption Publication) – Updated url.</p> <ul style="list-style-type: none"> <li>• <b>Section 12</b> (Proxy Demand Resources (PDR) and Reliability Demand Response Resources (RDRR)) –</li> <li>• Changes to all sections that include:</li> <li>• Energy Storage and Distributed Energy Resource ESDER Phase 1 initiative Tariff effective 10/1/2016 incorporating enhanced options to current performance evaluation methodologies and provision of statistically derived meter data for PDR/RDRR.</li> <li>• Changes to registration process with Demand Response Registration System (DRRS) enhancements independent release.</li> <li>• Indication that cause codes are no longer required when submitting outages.</li> </ul>
--	--	--	--

Version 14	892	February 25, 2016	<ul style="list-style-type: none"> <li>PRR 892 - Additions to Sections 3.2.4.1, 12.1 and 12.6 to detail requirements for development of SQMD specific to PDR and RDRR participation for cases where there is net export of energy at any of the resources underlying locations. Clarifies load curtailment only requirement for PDR and RDRR. Addition of Attachment G and H which address technical specifications and VEE for DER Devices.</li> </ul>
Version 13	826	May 1, 2015	<ul style="list-style-type: none"> <li>PRR 826 - Addition to Section 5.3 to add internet as an option for meter communications. Removal of Attachment G as it has been incorporated into the Demand Response User Guide.</li> </ul>
Version 12	820	March 26, 2015	<ul style="list-style-type: none"> <li>PRR 820 - Added clarifying language regarding Spinning Reserves in Sections 12.1 and 12.6</li> </ul>
Version 11	807	February 27, 2015	<ul style="list-style-type: none"> <li>PRR 807 - Added details to Section 3.2.3.4 Documentation Requirements</li> </ul>
Version 10	823	February 12, 2015	<ul style="list-style-type: none"> <li>PRR 823 - Update Section 12 Proxy Demand Resources (PDR) and Reliability Demand Response Resources (RDRR) to remove language relating to process. The process section will be incorporated into the Demand Response User Guide, which is available at <a href="http://www.caiso.com">www.caiso.com</a></li> </ul>
Version 9	720/807	February 12, 2014	<ul style="list-style-type: none"> <li>BPM changes to Section 12 Proxy Demand Resource to include Reliability Demand Response Resource program – Tariff effective 4/1/14. Added Direct Telemetry to the table in Section 12.1 per the market participant.</li> </ul>
Version 8	697	January 3, 2014	<ul style="list-style-type: none"> <li>BPM changes to Section 8</li> <li>Remove the reference to “temporary exemptions” to match procedures used by the CAISO.</li> </ul> <p>BPM changes to Section 8</p>

			<p>Provide additional details about the updated Metering Exemptions from Compliance process currently used by the CAISO.</p> <p>BPM changes to Attachment B</p> <p>Remove references to worksheets that are no longer provided by the CAISO.</p> <ul style="list-style-type: none"> <li>• Various grammatical and spacing errors corrected throughout document.</li> </ul>
Version 7	683	October 1, 2013	<ul style="list-style-type: none"> <li>• BPM changes to Section 3</li> <li>• Remove the references to provisional Certificate of Compliance in order to synchronize with the tariff</li> </ul> <p>BPM changes to Section 3</p> <p>Align the BPM with the recent changes to the CAISO Authorized Inspector Agreements and associated documents</p> <p>BPM changes to Attachment D</p> <p>Clarify the Validation, Estimation, and Editing (VEE) options used in the current CAISO Settlement Quality Meter Data System (SQMDS)</p>
Version 6	543/544	May 7, 2012	<ul style="list-style-type: none"> <li>• PRR 543: Removal of RDRR from Metering BPM</li> </ul> <p>PRR 544: Revision to the Scheduling Coordinator Self-Audit Report</p> <ul style="list-style-type: none"> <li>•</li> </ul> <p>BPM changes to Section 12 to remove the Reliability Demand Response Resource program. Changes to the guidelines provided for the SC Self Audit process.</p>
Version 5	446/456 459/457	June 30, 2011	<ul style="list-style-type: none"> <li>• BPM changes to Section 12 Proxy Demand Resource to include Reliability Demand Response Resource program – Tariff effective 4/1/12. Credit Reform (FERC 741)</li> </ul>

			and Settlement Timeline Change Process (SPTC) Changes - various sections
Version 4	431/432	April 1, 2011	<p>BPM changes to Section 12 Proxy Demand Resource.</p> <p>Includes registration process clarification including the ability to register "pseudo locations" and additional language to clarify PDR minimum load reduction requirements.</p> <p>BPM changes to Sections</p> <p>Changes revenue metering business practice for participating generators that are distribution connected resources (DCR), also referred to as distributed generation (DG). In particular, the changes modify the methodology used in determining the correction factor, attributed to losses and credits incurred to virtually meter at the CAISO Point of Receipt (POR), and how it is applied to CAISO metered entities revenue meters.</p>
Version 3	173	August 10, 2010	<p>BPM changes to further clarify Payment Acceleration language and incorporate Proxy Demand Resource implementation</p> <p>PRR 173 Metering BPM</p>
Version 2	79	November 2, 2009	<p>PRR 079 Metering BPM</p> <p>BPM update to reflect Payment Acceleration implementation</p>
Version 1		March 13, 2009	Original BPM

---

**TABLE OF CONTENTS**

<b>1. Introduction</b> .....	<b>17</b>
1.1 Purpose of California ISO Business Practice Manuals .....	18
1.2 References .....	18
<b>2. Overview of Metering CAISO</b> .....	<b>19</b>
2.1 Metering Process .....	19
2.2 Installation & Certification of Meters .....	20
2.3 Organization of BPM .....	21
<b>3. CAISO Responsibilities</b> .....	<b>22</b>
3.1 Overview of CAISO Responsibilities .....	22
3.2 Meter Certification .....	23
3.2.1 Overview of Meter Installation Certification Process .....	23
3.2.2 CAISO Certification Responsibilities .....	24
3.2.3 CAISO Metered Entities Certification Responsibilities .....	24
3.2.4 Scheduling Coordinator Metered Entities Certification Responsibilities .....	30
3.3 CAISO Authority to Require Additional Metering Facilities .....	30
3.3.1 Requirement to Install .....	31
3.3.2 Obligations of CAISO Metered Entity .....	31
3.3.3 CAISO Metered Entity Election to Install Additional Metering .....	31
3.4 Revenue Meter Data Acquisition & Processing System .....	32
3.5 Failure of CAISO Facilities or Systems .....	32
3.6 Audit & Testing .....	33
3.7 Meter Data Retention .....	33
<b>4. Common CAISO Metered Entity &amp; Scheduling Coordinator Metered Entity Responsibilities</b> .....	<b>34</b>
4.1 Netting .....	34
4.1.1 Permitted .....	34
4.1.2 Prohibited .....	34
4.2 Accurate Meter Data .....	35
4.2.1 SQMD Corrections .....	35
<b>5. CAISO Metered Entity Responsibilities</b> .....	<b>37</b>
5.1.1 Revenue Metering at the Point of Receipt (POR).....	38
5.1.2 Format & Collection of Meter Data .....	39

5.1.3	Access to Settlement Quality Meter Data .....	39
5.1.4	Maintenance & Repairs .....	40
5.1.5	Meter Site Security .....	41
5.2	Certification of Metering Facilities .....	41
5.3	Telecommunication Requirements .....	41
<b>6.</b>	<b>Scheduling Coordinators for Scheduling Coordinator Metered Entity Responsibilities .....</b>	<b>42</b>
6.1	Settlement Quality Meter Data (SQMD) Plan .....	42
6.1.1	CAISO Review of SQMD Plan .....	43
6.1.2	SQMD Plan Modifications .....	43
6.1.3	SQMD Plan Audits and CAISO Remedies .....	43
6.1.4	Annual Affirmation .....	43
6.2	Settlement Quality Meter Data .....	45
6.2.1	Settlement Quality Meter Data Format .....	47
6.2.2	Settlement Quality Meter Data Submission Timing .....	48
6.2.3	Process for Submittal & Resubmittal of Settlement Quality Meter Data .....	50
6.2.4	Failure to Submit Accurate Settlement Quality Meter Data (Actual, Estimated) .....	51
6.3	Certification of Meters .....	51
6.4	Audit & Testing .....	51
6.4.1	Audit & Testing of Metering Facilities .....	51
6.4.2	Scheduling Coordinator Self-Audit Attestation .....	51
6.4.3	Audit & Testing by CAISO .....	52
<b>7.</b>	<b>Meter Service Agreements .....</b>	<b>53</b>
7.1	CAISO Metered Entities .....	53
7.2	Scheduling Coordinator Metered Entities .....	54
7.3	Scheduling Coordinator Agreement .....	54
7.4	Net Scheduled Participating Generator Agreement .....	54
<b>8.</b>	<b>Exemptions .....</b>	<b>55</b>
8.1	Guidelines .....	55
8.1.1	Publication of Guidelines .....	55
8.1.2	Metering Exemption Publication .....	56
8.2	Request for Exemption Procedure .....	56
8.3	Permitted Exemptions .....	57

8.3.1	Exemptions from Providing Meter Data Directly to RMDAPS .....	57
8.3.2	Exemptions from Meter Standards .....	57
<b>9.</b>	<b>Other Metering Configurations .....</b>	<b>58</b>
9.1	Metered Subsystems .....	58
9.2	Dynamic System Resource Meters .....	59
9.3	Metering for Separate UFE Calculations .....	59
9.4	Metering for Participating Load Program .....	59
<b>10.</b>	<b>Station Power Program .....</b>	<b>60</b>
10.1	Station Power Program Overview .....	60
10.2	Eligibility .....	61
10.3	Limitations .....	61
10.4	Applications to Self-Supply Station Power .....	62
10.5	CAISO Monitoring & Review .....	63
10.6	Self-Supply Verification & CAISO Charges .....	63
10.7	Station Power Portfolio Set-Up .....	64
10.8	Provision of Data to UDC or MSS Operator .....	65
<b>11.</b>	<b>Qualifying Facility (QF) Metering .....</b>	<b>66</b>
11.1	Inapplicability of CAISO Metering Requirements to Regulatory Must-Take Generation .....	66
11.2	QF Eligibility for Net Metering .....	66
11.2.1	Demonstration of QF Status .....	66
11.2.2	Demonstration of Standby Service or Curtailment of Self-Provided Load .....	67
11.2.3	Execution of a QF PGA .....	67
11.3	Permitted Netting for Net Scheduled QFs .....	67
<b>12.</b>	<b>Proxy Demand Resources (PDR) and Reliability Demand Response Resources (RDRR) .....</b>	<b>68</b>
12.1	Using the Appropriate Systems for Meter Data Management .....	69
12.1.1	Meter Data Submission- Effective November 1, 2018 .....	69
12.1.2	Meter Data Submittal Timelines .....	70
12.1.3	Meter Data Submission .....	70
	<b>Attachment A: End Use Meter Standards .....</b>	<b>79</b>
	<b>Attachment B: Technical Specifications .....</b>	<b>81</b>
	<b>Attachment C: CAISO Authorized Inspector Initial Site Verification and Meter Test Procedures .....</b>	<b>138</b>



---

**Attachment D: CAISO Data Validation, Estimation and Editing Procedures for Revenue Quality Meter Data (RQMD) ..... 144**

**Attachment E: CAISO Audit of Certified Metering Facilities ..... 156**

**Attachment F: Station Power Reallocation Example ..... 159**

**Attachment G: Technical Metering Specifications for DER Devices (If No LRA Standards Exist) ..... 161**

**Attachment H: Data Validation, Estimation and Editing (VEE) for DER DEVICES..... 165**

**List of Exhibits:**

Exhibit 2-1: Overview of Installation and Certification of Meters ..... 20

Exhibit 2-2: Overview of Meter Data Flow to obtain SQMD..... 21

Exhibit 3-1: Meter Installation Certification Process..... 23

# 1. Introduction

Welcome to CAISO ***BPM for Metering***. In this Introduction you will find the following information:

- 
- The purpose of CAISO BPMs
  - What you can expect from this CAISO BPM
  - Other CAISO BPMs or documents that provide related or additional information

## 1.1 Purpose of California ISO Business Practice Manuals

The Business Practice Manuals (BPMs) developed by CAISO are intended to contain implementation detail, consistent with and supported by the CAISO Tariff, including: instructions, rules, procedures, examples, and guidelines for the administration, operation, planning, and accounting requirements of CAISO and the markets. Exhibit 1-1 lists CAISO BPMs.

The *BPM for Metering* covers the metering responsibilities for the CAISO, CAISO Metered Entities, Scheduling Coordinator (SC) Metered Entities, and Scheduling Coordinators for the meter installation, certification and maintenance in addition to the creation of Settlement Quality Meter Data (SQMD).

The provisions of this BPM are intended to be consistent with the CAISO Tariff. If the provisions of this BPM nevertheless conflict with the CAISO Tariff, the CAISO is bound to operate in accordance with the CAISO Tariff. Any provision of the CAISO Tariff that may have been summarized or repeated in this BPM is only to aid understanding. Even though every effort will be made by CAISO to update the information contained in this BPM and to notify Market Participants of changes, it is the responsibility of each Market Participant to ensure that he or she is using the most recent version of this BPM and to comply with all applicable provisions of the CAISO Tariff.

A reference in this BPM to the CAISO Tariff, a given agreement, any other BPM or instrument, is intended to refer to the CAISO Tariff, that agreement, BPM or instrument as modified, amended, supplemented or restated.

The captions and headings in this BPM are intended solely to facilitate reference and not to have any bearing on the meaning of any of the terms and conditions.

## 1.2 References

Other reference information related to this BPM includes:

- The BPM for Rules of Conduct Administration

- The BPM for Full Network Model
- The BPM for Settlements and Billing

## 2. Overview of Metering CAISO

Welcome to the *Overview of Metering* section of the *BPM for Metering*. In this section you will find the following information:

- A description of the metering process
- A diagram of the meter installation and certification process
- A diagram of the flow of Meter Data

### 2.1 Metering Process

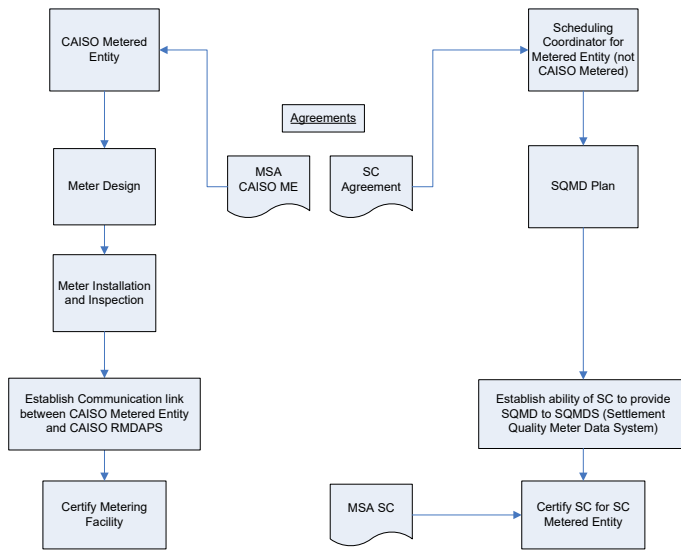
This BPM describes the process and procedures used by the CAISO, CAISO Metered Entities, and Scheduling Coordinators for Scheduling Coordinator Metered Entities to obtain SQMD used for the Settlement of the CAISO Markets. SQMD is used for billable quantities to represent the Energy generated or consumed during a Settlement Interval. SQMD is obtained from two different sources: CAISO Metered Entities (Meter Data directly collected by CAISO) and Scheduling Coordinator Metered Entities (Meter Data submitted to CAISO by Scheduling Coordinators). This BPM provides information regarding:

- CAISO installation requirements of Metering Facilities
- How the CAISO certifies Metering Facilities for CAISO Metered Entities and meters for Scheduling Coordinator Metered Entities
- Necessary agreements for participation in the CAISO Markets
- How Meter Data is created and submitted by CAISO Metered Entities and Scheduling Coordinators for Scheduling Coordinator Metered Entities
- CAISO's role in creating SQMD through Validation, Editing and Estimation (VEE)
- Audit, testing, and maintenance requirements of Metering Facilities

## 2.2 Installation & Certification of Meters

Exhibit 2-1 illustrates the process for installation and certification of Metering Facilities for CAISO Metered Entities and meters for Scheduling Coordinator Metered Entities.

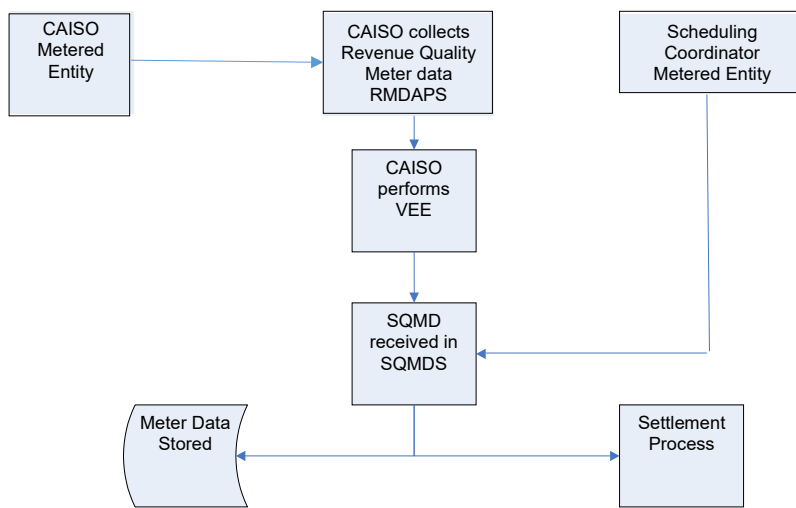
**Exhibit 2-1: Overview of Installation and Certification of Meters**



## Overview of Flow of Meter Data

Exhibit 2-2 illustrates the relationship between CAISO, CAISO Metered Entities, and Scheduling Coordinator Metered Entities to obtain SQMD.

**Exhibit 2-2: Overview of Meter Data Flow to obtain SQMD**



### 2.3 Organization of BPM

The following Sections 3, 4, 5, and 6 describe the respective responsibilities of CAISO, CAISO Metered Entities and Scheduling Coordinators for Scheduling Coordinator Metered Entities. Sections 7 through 12 describe provisions for Meter Service Agreements, exemptions, other metering configurations, Station Power metering, and metering for Qualifying Facilities and Proxy Demand Resources.

### 3. CAISO Responsibilities

Welcome to the *CAISO Responsibilities* section of the *BPM for Metering*. In this section you will find the following information:

- An overview of CAISO responsibilities
- A description of the installation and certification process for Metering Facilities
- A description of the Revenue Meter Data Acquisition and Processing System (RMDAPS) system
- A description of the procedure followed in the event of communication facility failures
- A description of the auditing and testing requirements
- A description of Meter Data retention policy of CAISO

#### 3.1 Overview of CAISO Responsibilities

##### CAISO Tariff Section 10.1.1

The CAISO is responsible for establishing and maintaining the Revenue Meter Data Acquisition and Processing System (RMDAPS) and the Settlement Quality Meter Data System (SQMDS). RMDAPS acquires Revenue Quality Meter Data which is processed into SQMD (actual) for use in the CAISO's Settlement and billing process and SQMDS acquires Scheduling Coordinators' Settlement Quality Meter Data (actual, estimated). The CAISO is also responsible for the following for CAISO Metered Entities:

- (a) setting standards and procedures for the registration, certification, auditing, testing, and maintenance of revenue quality meters and
- (b) establishing procedures for the collection, security, validation and estimation of Meter Data

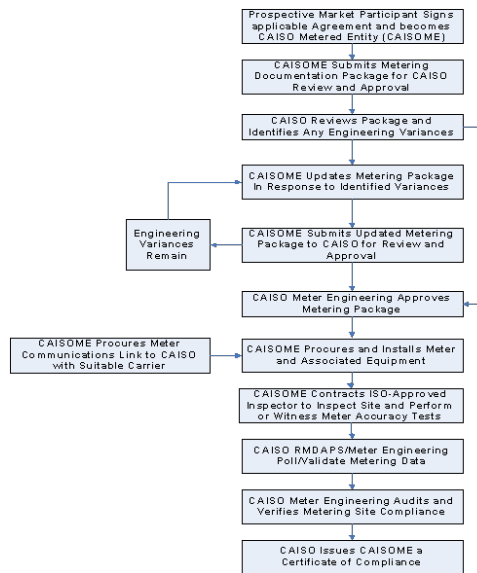
## 3.2 Meter Certification

CAISO has overall responsibility for certification. Some of this responsibility is accomplished by the responsibilities placed on CAISO Metered Entities and Scheduling Coordinators for Scheduling Coordinator Metered Entities. This Section 3.2 summarizes the respective certification responsibilities of CAISO, CAISO Metered Entities and Scheduling Coordinators with respect to Scheduling Coordinator Metered Entities.

### 3.2.1 Overview of Meter Installation Certification Process

Exhibit 3-1 provides a high level illustration of the overall certification process for Metering Facilities.

**Exhibit 3-1: Meter Installation Certification Process**



---

### 3.2.2 CAISO Certification Responsibilities

CAISO does not accept Meter Data from a CAISO Metered Entity unless that Meter Data is produced by Metering Facilities that are certified in accordance with the CAISO Tariff and this BPM and has a current Certificate of Compliance.

CAISO does not accept SQMD relating to a Scheduling Coordinator Metered Entity unless it is produced by Metering Facilities that are certified in accordance with certification or similar criteria prescribed by the relevant Local Regulatory Authority (LRA).<sup>1</sup> In the absence of metering standards set by a LRA, the CAISO determines that the Metering Facilities meet or exceed the standards for CAISO Metered Entities. Where applicable, this notification may be included in the Scheduling Coordinator Metered Entity's SQMD Plan. CAISO Metered Entities must use a certified meter, request and provide information for a certified Metering Facility and have a CAISO Authorized Inspector review and inspect the facility. CAISO has the final authority to settle accuracy disputes between the CAISO Authorized Inspector and the Metering Facility.

### 3.2.3 CAISO Metered Entities Certification Responsibilities

#### 3.2.3.1 End Use Meter Standards

All metering is of a revenue class metering accuracy in accordance with the ANSI C12 standards on metering and any other requirements of the relevant UDC or Local Regulatory Authority that apply. Such requirements apply to meters, current transformers and potential transformers, and associated wiring and equipment. End Use Meter Standards are located in Attachment A of this BPM.

#### 3.2.3.2 Certification Criteria

The criteria for certifying the Metering Facilities of CAISO Metered Entities include meeting the requirements for installation, certification and establishment of communication equipment. All requests made to CAISO to perform the certification of Metering Facilities must be made in accordance with the Technical Specifications (Attachment B). If CAISO agrees to perform the certification of Metering Facilities, CAISO and the CAISO Metered Entity must agree to the terms and conditions on which the CAISO undertakes the certification including the assistance provided by the CAISO Metered Entity, the responsibility for costs and the indemnities provided.

---

<sup>1</sup> CAISO may require Scheduling Coordinators to provide it with a copy of any certificate issued by the Local Regulatory Authority in respect of the Metering Facilities of each SC Metered Entity they represent. The Scheduling Coordinator must provide to CAISO a copy of such certificate within five business days of receiving the request for the certificate from CAISO.



### 3.2.3.3 Inspection by CAISO Authorized Inspectors

#### CAISO Tariff Section 10.2.5.2

A CAISO Metered Entity seeking certification of its Metering Facilities independently engages a CAISO Authorized Inspector to perform inspection of its Metering Facilities and requests the CAISO to perform the certification of its Metering Facilities. It is the responsibility of the relevant CAISO Metered Entity to ensure that any inspector it engages to undertake the certification of its Metering Facilities is a CAISO Authorized Inspector at time of inspection. CAISO Metered Entities must also ensure that neither the CAISO Authorized Inspector nor the Inspection Company (including Affiliates) employing that CAISO Authorized Inspector may certify any Metering Facilities: (i) it has directly owned or leased at any time; (ii) it has installed, designed, or programmed; or (iii) in which it holds a current financial or ownership interest, except for an employee pension or a holding of publicly traded securities. The CAISO publishes on the CAISO Website, for informational purposes only, a list of the CAISO approved meter inspection companies at:

<http://www.caiso.com/market/Pages/MeteringTelemetry/Default.aspx>

If a CAISO Metered Entity would like the CAISO to perform the inspection of its Metering Facilities, the CAISO Metered Entity must submit a letter to the CAISO. The request letter must contain the following:

- Specify the Metering Facilities to be certified
- Provide the documentation referred to in Section 3.2.3.4 of this BPM
- Detail the reasons why the CAISO Metered Entity cannot engage the services of a CAISO Authorized Inspector to perform the inspection. An acceptable request must include either, 1) information about the requesting entity's contacts with no less than two CAISO Authorized Inspectors and an explanation of why the requesting entity could not contract with the CAISO Authorized Inspector or 2) a compelling explanation why it was impossible or impractical for the requesting entity to make such contacts with two CAISO Authorized Inspectors. [Note: Any such request could be available to the public under the CAISO Information Availability Policy.]

The CAISO, within 14 days of receiving a request for it to inspect Metering Facilities, informs the CAISO Metered Entity whether it undertakes the inspection or requires the CAISO Metered Entity to engage a CAISO Authorized Inspector to perform the inspection. The site name of approved locations will be posted on the CAISO Website.

### 3.2.3.4 Documentation Requirements

To initiate the Certification process Interconnection Customers shall follow the New Resource Implementation (NRI) process. The CAISO Metered Entity must provide the following information to the CAISO and to the CAISO Authorized Inspector:

- Schematics – The CAISO Metered Entity provides schematics of the metering installation being considered for CAISO certification. Such drawings must be dated, bear the current drawing revision number and show all wiring, connections and devices in the circuits. Electrical Schematics must be issued for Construction (IFC) or As-Built. ~~In either case, the~~ Issued for Construction schematics must be Professional Engineer (PE) Stamped.
- Drawings required:
  - 3 Line Drawing showing primary conductors, Revenue Metering Instrument Transformers, and the secondary circuit including all meters, devices, and test switches. This drawing shall indicate Current and Voltage transformer ratios, transformer polarities for both Current and Voltage Transformers, with CT H1 polarity facing the CAISO Grid.
  - Detailed Station One Line depicts the generating unit(s) and/or load(s) connecting to the CAISO Grid. This drawing shall show how generators, transformers and aux transformers are connected, showing all breakers, disconnects, and CAISO Revenue Metering to CAISO Point of Receipt (POR), where the CAISO POR differs from the meter location. This drawing shall indicate Current and Voltage transformer ratios.
  - Communication Block Diagram must show physical and logical connections from CAISO Revenue Meter to CAISO RMDAPS, including IP addresses, ports, and communications protocols.
- The CAISO Metering Certification Form and corresponding Site Verification Data Sheet located on CAISO Website at:  
  
<http://www.caiso.com/market/Pages/MeteringTelemetry/Default.aspx>
- Transformer and Line Loss Worksheets, where applicable.
- Distribution Compensation Factor (DCF) engineering study (if applicable per BPM section 5.1.1) with letter of agreement of DCF from appropriate UDC/Distribution Company/ Interconnection entity.

- Supplemental Documentation which may be required at CAISO discretion:
  - Map to the site
  - Contact personnel
  - System Description Overview: An overview should include a brief description one page or less of the operation of the site. Examples would be the meter used and how it communicates with the CAISO. The size of the Generating Unit and associated Load should also be included. Other examples include the Point of Delivery of Energy to the CAISO Controlled Grid and all relevant information about current transformers and voltage transformers that include line and transformer loss compensation. The operation of the meters input and output circuits.

### 3.2.3.5 Meter Facility Site Acceptance, Verification, & Meter Test

The CAISO Authorized Inspector must complete a CAISO approved California ISO Metering Site Verification Sheet (MSVS) in relation to each set of Metering Facilities that inspected. An MSVS template can be found on the CAISO Website at:

<http://www.caiso.com/market/Pages/MeteringTelemetry/Default.aspx>

The CAISO Authorized Inspector provides the most recent test results documenting instrument calibration results by serial number and the traceable link to the National Institute for Science and Technology (NIST).

Details of the CAISO Authorized Inspector site acceptance criteria include verification of:

- Drawings and documentation
- Meter and related component locations
- Name plate data of instrument transformers
- Name plate of Generating Unit, if applicable
- Revenue meter calibration limits
- Meter and related components, seals, and locks
- Applied instrument transformer burdens
- Applied metering constants
- Communications

Metering compensation (including transformer losses, line losses and distribution compensation factor, *when applicable*)

---

The CAISO Authorized Inspector also conducts a site verification and either performs or witnesses the performance of accuracy tests for the Metering Facility installations. Details of these verification steps can be found in Attachment C.

### 3.2.3.6 CAISO Review of Documentation

If there are any discrepancies between the CAISO certified drawings on file and the actual metering circuitry inspected by the CAISO Authorized Inspector or CAISO, then the CAISO requests that the owner or authorized owner representative document that discrepancy and revise the schematic drawings provided to CAISO. Where the CAISO Authorized Inspector discovers a discrepancy, they must notify CAISO and the CAISO Metered Entity of the discrepancy within 24 hours of the discovery.

CAISO reviews all documentation provided to it by the CAISO Metered Entity and the site verification form prepared by the CAISO Authorized Inspector. If CAISO finds the data is incomplete or fails to meet the relevant standards referred to in the CAISO Tariff and this BPM, the CAISO provides written notice of the deficiencies to the CAISO Metered Entity.

### 3.2.3.7 Certification Testing

CAISO will either approve or reject a proposal for installation in the New Resource Implementation (NRI) process.

**Approval** – If the CAISO unconditionally approves a proposal for installation, it will notify the CAISO Metered Entity that the proposal for installation has been approved. The CAISO Metered Entity then begins installation of the Metering Facilities in accordance with the proposal for installation.

**Rejection** – If the CAISO rejects a proposal for installation, it notifies the CAISO Metered Entity that the proposal is rejected. The CAISO Metered Entity must submit CAISO a revised proposal for installation within 14 Business Days of receiving the notice of rejection. If the CAISO rejects for a second time a proposal for installation submitted by a CAISO Metered Entity in respect to the same or similar notice issued by CAISO, the CAISO and CAISO Metered Entity use all reasonable good faith efforts to reach agreement on the requirements and disputed items and in the absence of agreement either party may refer the dispute to an alternative dispute resolution process.

If CAISO finds that the certification process described above is complete, it initiates tests to certify the RMDAPS interface with the relevant Metering Facilities (See Attachment C, Section C4, and Communications Circuit Test).

### 3.2.3.8 Certificate of Compliance

#### CAISO Tariff Section 10.2.4.4

If the Metering Facilities satisfy the certification criteria as specified in this CAISO Tariff and in the Business Practice Manuals (after taking into account any exemptions to the certification criteria granted by the CAISO), the CAISO will issue a Certificate of Compliance of those Metering Facilities to the CAISO Metered Entity.

### 3.2.3.9 Revocation of Certificate of Compliance

CAISO may revoke the Certificate of Compliance if:

It has reasonable grounds to believe that all or some of the Metering Facilities covered by that Certificate of Compliance no longer meet the certification criteria for Metering Facilities contained in the CAISO Tariff and this BPM.

It has given written notice to the relevant CAISO Metered Entity stating that it does not believe that the identified Metering Facilities meet the certification criteria (including the reasons for that belief) and that the CAISO Metered Entity fails to satisfy the CAISO, within the time period specified in the CAISO's notice, that the Metering Facilities meet the certification criteria.

If the CAISO revokes the Certificate of Compliance, the relevant CAISO Metered Entity may request recertification.

### 3.2.3.10 Metering Facility Maintenance

CAISO Metered Entities must ensure proper operation and integrity of the metering equipment. The CAISO recommends CAISO Metered Entities test their Metering Facilities a minimum of once every two years. To ensure that this standard is maintained, a site audit process by the CAISO occurs periodically. The site audit is a review by CAISO of the Metering Facility data as recorded as part of the Metering Facility certification and as documented in the most current Site Verification Data Sheet on file at CAISO.

### 3.2.3.11 Modification of Metering Facilities

CAISO approval must be obtained before any modifications or changes are made to any Metering Facilities of a CAISO Metered Entity via the NRI process that have been previously certified pursuant to the CAISO Tariff or this BPM. The CAISO may, at its discretion, require those Metering Facilities to be recertified.

### 3.2.4 Scheduling Coordinator Metered Entities Certification Responsibilities

CAISO Tariff Section 10.3.9 and 10.3.11

Scheduling Coordinators for Scheduling Coordinator Metered Entities must ensure the metered entities they represent have certified meters in accordance with the certification requirements of the appropriate Local Regulatory Authority (LRA). In the absence of metering standards set by a LRA, the CAISO will evaluate whether the metering facilities meet or exceed the standards for CAISO Metered Entities. Where applicable, this notification may be included in the Scheduling Coordinator Metered Entity's SQMD Plan. Scheduling Coordinators of a Distributed Energy Resource Aggregation for which no Local Regulatory Authority criteria have been prescribed for Metering Facilities may self-certify that their Metering Facilities meet the default certification criteria set forth in the CAISO Business Practice Manual or their SQMD Plan.

The CAISO does not perform any VEE procedures on the actual or estimated Settlement Quality Meter Data it receives from Scheduling Coordinators for Scheduling Coordinator Metered Entities. The SCME must also comply with any additional CAISO data development requirements for Proxy Demand Resources (PDR) or Reliability Demand Response Resources (RDRR) they represent as referenced in sections in this BPM specific to their participation.

## 3.3 CAISO Authority to Require Additional Metering Facilities

CAISO Tariff Section 10.2.14

CAISO has the authority under the CAISO Tariff to require a CAISO Metered Entity to install Metering Facilities. In directing the addition of meters and metering system components that would impose increased costs on a CAISO Metered Entity, CAISO will give due consideration to whether the expected benefits of such equipment are sufficient to justify such increased costs. A CAISO Metered Entity may not start installation of additional metering until CAISO has approved its proposal for Installation in the NRI process.

### 3.3.1 Requirement to Install

If CAISO determines that there is a need to install additional Metering Facilities on the CAISO Controlled Grid, it notifies the relevant CAISO Metered Entity of that need. The CAISO's notice to that CAISO Metered Entity will include:

- ❑ Location of the meter point at which the additional Metering Facilities are required
- ❑ Date by which the CAISO Metered Entity must install the relevant Metering Facility
- ❑ The reason for the need to install the additional Metering Facilities
- ❑ Any other information the CAISO considers relevant

### 3.3.2 Obligations of CAISO Metered Entity

- ❑ A CAISO Metered Entity that is notified by CAISO that it is required to install additional Metering Facilities must:
  - ❑ Give CAISO written confirmation of receipt of that notice within three Business Days of receiving that notice
  - ❑ Submit a proposal for installation to CAISO within 45 Business Days of receiving that notice. The proposal for installation must set out the following information:
    - ❖ A description of the proposed Metering Facilities to be installed (which includes all relevant schematic drawings and one-line drawings)
    - ❖ A proposed timetable for the installation
    - ❖ Any other information requested by CAISO

### 3.3.3 CAISO Metered Entity Election to Install Additional Metering

A CAISO Metered Entity may choose to install additional metering, including Backup Meters. If a CAISO Metered Entity installs such additional metering, such metering must, unless the CAISO agrees otherwise:

Be installed and maintained at CAISO Metered Entity's cost

Be located on CAISO Metered Entity's side of any primary meter

Not interfere with the accuracy of any primary meter and, if that primary meter is directly polled by CAISO, the CAISO's ability to directly poll that meter

Any meter data produced by additional metering may be used by CAISO for Settlement and billing purposes in the event of the failure, or during tests or repairs of, the primary meter provided that the following conditions are all satisfied: (i) such additional metering has a current Certificate of Compliance; (ii) the CAISO Metered Entity gives CAISO prior verbal notice that such meter is used and the period for which it will be used; and (iii) if the primary meter is directly polled by CAISO, that additional metering is capable of being directly polled by CAISO.

### 3.4 Revenue Meter Data Acquisition & Processing System

CAISO uses RMDAPS to obtain revenue quality meter data associated from CAISO Metered Entities. CAISO also retrieves data from the meters that provides information on the health of the meter (i.e., error logs, back up battery status, etc.). CAISO is responsible for taking the raw unedited Meter Data and performing the Validation, Estimation, and Editing (VEE) procedures to produce actual Settlement Quality Meter Data. CAISO VEE procedures are contained in Attachment D. In the case of loss compensation scheme, where the data from the revenue meter(s) is not raw and is edited, backup meters are required to be installed and certified. Backup meters should also be in the loss compensation scheme which is independent from the main meter loss compensation scheme.

In addition, VEE is conducted on individual meter reads that may be aggregated with other meters to produce the specific resource ID SQMD. This includes Generating Unit resource IDs that are made up of multiple Generating Units electrically connected at the same point or Generating Units that are considered a Physical Scheduling Plant.

CAISO makes its best effort to read the CAISO Metered Entities' meters and make the SQMD available to the CAISO Metered Entities (and their Scheduling Coordinators) within five Business Days. The Scheduling Coordinator or the CAISO Metered Entity can obtain their Meter Data, by resource ID, from the SQMDS. The CAISO Metered Entities can verify and monitor their data to assure the data is as expected.

Note that RMDAPS does not collect Meter Data for Scheduling Coordinator Metered Entities. The Scheduling Coordinators for Scheduling Coordinator Metered Entities submit actual or estimated Settlement Quality Meter Data directly into SQMDS.

### 3.5 Failure of CAISO Facilities or Systems

CAISO Tariff Section 10.1.6

In the event facility and/or system failure impacts the CAISO's ability to accept, collect, and process Revenue Quality Meter Data or Settlement Quality Meter Data, alternative measures



---

may be required by the CAISO, CAISO Metered Entities, and Scheduling Coordinator Metered Entities.

These measures are communicated to the market via CAISO Market Notice.

### 3.6 **Audit & Testing**

CAISO Tariff Section 10.2.11

Certified CAISO Metered Entities are subject to CAISO Metering Facility audits, and testing. CAISO has the right to either conduct any audit or test it considers necessary or to witness such audit or test carried out by the CAISO Metered Entity. Details of the Metering Facility audits are outlined in Attachment E.

The audit and testing requirements for Scheduling Coordinator Metered Entities, including the self-audit requirements, are described in Section 6.3.

### 3.7 **Meter Data Retention**

CAISO Tariff Section 10.1.2

The CAISO maintains a record of all Revenue Quality Meter Data and Settlement Quality Meter Data provided to it, as well as the Settlement Quality Meter Data it produces, for a period of 18 months on-site at CAISO's facilities and for a period which, at least, allows for the re-run of data as required by the CAISO Tariff and any adjustment rules of the Local Regulatory Authority governing the Scheduling Coordinators and their End-Use Customers and FERC. The CAISO, on reasonable notice, provides a Scheduling Coordinator with access to Settlement Quality Meter Data (actual or Scheduling Coordinator estimated) provided that the Scheduling Coordinator requesting access represented the entity for which that data was provided at the time the data was provided to the CAISO.

## 4. Common CAISO Metered Entity & Scheduling Coordinator Metered Entity Responsibilities

Welcome to the *Common CAISO Metered Entity and Scheduling Coordinator Metered Entity Responsibilities* section of the *BPM for Metering*. In this section you will find the following information that applies to both CAISO Metered Entities and Scheduling Coordinator Metered Entities:

A description of permitted and prohibited netting of Generating Unit output and the Demand of auxiliary Load equipment

A description of requirement to provide accurate Meter Data

A description of the interval over which Meter Data is recorded

### 4.1 Netting

This section describes the permitted and prohibited netting opportunities for CAISO Metered Entities and Scheduling Coordinators for Scheduling Coordinator Metered Entities. CAISO Metered Entities and Scheduling Coordinator Metered Entities may net Station Power only to the extent allowed by their Local Regulatory Authority. Netting opportunities for Station Power and for Qualifying Facilities are described in Sections 10 and 11, respectively, of this BPM for Metering. Because the CAISO has no jurisdiction over distribution service or retail billing, resources should also work with their Local Regulatory Authority and Utility Distribution Company to ensure completely accurate metering and settlement.

#### 4.1.1 Permitted

CAISO Tariff Section 10.1.3.1

CAISO Metered Entities and Scheduling Coordinators may, when providing Meter Data to CAISO, net kWh or MWh values for output and Station Power electrically connected at the same point provided that the resource is on-line and producing sufficient output to serve all of Station Power. Similarly, where permitted by the Local Regulatory Authority, CAISO Metered Entities and Scheduling Coordinators may, when providing Meter Data to the CAISO, include Station Power within the resource's wholesale Demand or output below zero (for dispatches to charge a storage resource or provide regulation through charging, for example).

#### 4.1.2 Prohibited

CAISO Tariff Section 10.1.3.2

CAISO Metered Entities or Scheduling Coordinators must not net values for output and Load that is not Station Power. CAISO Metered Entities or Scheduling Coordinators that serve third party Load connected to a resource's auxiliary system must add that third party Load to the resource's output. Where resource's auxiliary Load or Station Power equipment is served via a distribution line that is separate from the switchyard to which the resource is connected, that resource and auxiliary load equipment will not be considered to be electrically connected at the same point. The CAISO Metered Entity must add that third party Load to the resource's output either by means of a hard wire local meter connection between the metering systems of the third party Load and the resource or by requesting CAISO to use RMDAPS to perform the addition. Scheduling Coordinators representing Scheduling Coordinator Metered Entities that serve third party Load connected to the auxiliary system of a resource must ensure that those Scheduling Coordinator Metered Entities add the Energy consumed by such third parties to the gross output so as to ensure proper settlement of that Generating Unit's gross output. The CAISO Metered Entity or the Scheduling Coordinator must ensure that the third party Load has Metering Facilities that meet the standards referred to in this BPM.

## 4.2 Accurate Meter Data

### CAISO Tariff Section 37.5.2

CAISO Metered Entities and Scheduling Coordinators for Scheduling Coordinator Metered Entities must provide CAISO with complete and accurate Meter Data, subject to penalties and Sanctions specified in CAISO Tariff Section 37.11. Pursuant to Section 37.11, CAISO has the authority to impose Sanctions as outlined in that provision and in the BPM for Rules of Conduct Administration under the Inaccurate Meter Data section. In addition, Section 4.1 of both the *pro forma* Meter Service Agreement for Scheduling Coordinators and the *pro forma* Meter Service Agreement for CAISO Metered Entities provides the authority for CAISO to impose penalties and Sanctions, including but not limited to suspension of trading rights, if a Scheduling Coordinator or CAISO Metered Entity provides inaccurate, incorrect or fraudulent Meter Data to CAISO. Such penalties and Sanctions must be approved by FERC. Additional information related to penalties and Sanctions, including suspension of trading rights can be found in the Meter Service Agreement and *BPM for Rules of Conduct Administration*, as applicable.

### 4.2.1 SQMD Corrections

CAISO Metered Entities and Scheduling Coordinators representing CAISO Metered Entities must ensure accurate settlement meter data is received by the CAISO according to current settlement timelines. However, in the case where meter data corrections are required, the following guidelines are applied:

- If an ISOME error is identified by the generator owner or SC, the CAISO will make appropriate corrections up to and including T+214B for the T+11M settlement statements

Exceptions to this could be for a large impact to the market, ISO processing or system errors, if CAISO Management requests the correction or a FERC Order to correct.

Please note that, through 2021, CAISO will continue to issue settlement statements for trading days before 1/1/2021 that have earlier deadlines for submitting meter data. For additional information about the previously effective settlement timeline and applicable deadline, see version 21 of this BPM or the CAISO Settlements Calendar.

### 4.3 Storage Resources

Per Tariff Section 10.1.3.4, Storage resources participating in the CAISO markets may not charge their resources pursuant to a CAISO wholesale rate except to provide Energy or Ancillary Services to the CAISO Markets upon discharge. To ensure that storage resources do not incur wholesale charges from the CAISO duplicative of any retail charges:

- (a) CAISO Metered Entities' revenue quality meters must be installed and programmed to exclude any retail Meter Data.
- (b) Scheduling Coordinator Metered Entities' SQMD Plans must describe how the Metered Entity's metering arrangement or Validation, Estimation, and Editing procedure prevents commingling retail and CAISO Meter Data.

Effective October 1, 2020, for any Non-Generator Resource where the Utility Distribution Company or retail utility verifies in writing to the CAISO that it is unable or unwilling to net out from its retail billing any energy purchases associated with the Non-Generator Resource's charging pursuant to CAISO settlement, the CAISO will not settle the Non-Generator Resource's negative Energy for charging. Scheduling Coordinators for such a Non-Generator Resource must still include negative Energy for charging in the Non-Generator Resource's Meter Data.

The process for assigning the classification for an individual NGR resource will include:

- Scheduling Coordinators shall submit a request for new classification to CAISO with required supporting documentation to [EDAS@caiso.com](mailto:EDAS@caiso.com). Supporting documentation shall include a Single Line Drawing and documentation from the UDC attesting that it is unable or unwilling to net out from its retail billing any wholesale energy purchases. The ISO may request additional documentation if necessary.

- EDAS staff will review requests and confirm required criteria has been met to assign the new classification to exempt charges for negative energy and will notify the Master File team to update the applicable attribute in the Master File for the NGR with the new classification.

#### 4.4 Pseudo ties of Shared Resources

- Each share will be modeled as a simple generator.
- The Protocol Administrator, through the Pseudo-Tie PGA owners, will establish a Logical Metering SQMD Plan through existing CAISO processes, which will be subject to approval by CAISO using the requirements for SC Metered Entities.
- The host entity will directly report its meter data for market settlements, along with the meter data for other shared resource owners.
- Meter data for other participants' shares will use the "logical metering" process documented in their SQMD plan.
- The SQMD Plan should reflect an expectation for partial resources that metering will reflect and follow the dispatch instruction to extent feasible, clearly explain how deviations will be handled, and account for the outage allocation methodology.

### 5. CAISO Metered Entity Responsibilities

Welcome to the *CAISO Metered Entities Responsibilities* section of the *BPM for Metering*. In this section you will find the following information:

A description of Revenue Quality Meter Data

A description of the installation, maintenance and repair of meters

An indication of where to find meter certification requirements

A description of the communications requirements

A description of CAISO imposed penalties and Sanctions

A description of the provisions for third party access to Meter Data

CAISO Tariff Section 10.2

CAISO Metered Entities provide Revenue Quality Meter Data directly to CAISO via the CAISO certified meter that is directly polled by CAISO's RMDAPS.

---

## 5.1 Revenue Quality Meter Data

### CAISO Tariff Section 10.2.1.1

CAISO Metered Entities must ensure that Revenue Quality Meter Data from their meters directly connected to the CAISO Controlled Grid or at interconnections, including interconnections between utility Service Areas which have separate UFE calculations, is made available to CAISO RMDAPS in accordance with the requirements of Section 10 of the CAISO Tariff and this Business Practice Manual.

The measurement from CAISO Metered Entities revenue meters must be represented at the point of receipt (POR) to the ISO Controlled Grid.

### 5.1.1 Revenue Metering at the Point of Receipt (POR)

#### CAISO Tariff Section 10.2.10.4

Where a CAISO Metered Entity is connected in a radial manner to the ISO Controlled Grid, applicable radial line and transformer losses must be programmed into the revenue meter to reflect the point of receipt at the CAISO Controlled Grid. Loss factors for such radial lines and transformers shall be determined in accordance with Attachment B, Technical Specifications, of this BPM.

Where a CAISO Metered Entity is connected to a Utility Distribution Company's (UDC) Distribution System, applicable radial line and transformer losses, as well as Distribution System losses or credits, referred to as a Distribution Compensation Factor (DCF), must be programmed into the meter—or applied within RMDAPS (prior CAISO approval required) to reflect the point of delivery at the CAISO Controlled Grid. DCF must be programmed in both revenue and real time registers (telemetered values) of the meter.—Loss factors for such radial lines and transformers shall be determined in accordance with Attachment B, Technical Specifications, of this BPM.

The Distribution Compensation Factor, accounting for losses or credits attributed across a Distribution System, must be based on an engineering study and not be in conflict with any interconnection or Tariff agreements entered into between the CAISO Metered Entities and the UDC/Distribution Provider to which they are connected. In the absence of an engineering study, the CAISO will accept a default Distribution Compensation Factor of 1.0. All Distribution Compensation Factors must be reviewed by and agreed upon by the CAISO, CAISO Metered Entity and the UDC/Distribution Provider.

---

The CAISO will recognize an engineering study found in a distribution Interconnection Service Agreement or Access Tariff filing as a valid, independent study for purposes of determining the Distribution Compensation Factor.

Agreement of the Distribution Compensation Factor by all parties will be a pre-condition to CAISO meter certification. The agreed upon compensation factor and applicable radial line and transformer losses shall be programmed into the ISO revenue meter or applied within RMDAPS with prior CAISO approval.

### **5.1.2 Format & Collection of Meter Data**

CAISO Tariff Section 10.2.9.2

CAISO Metered Entities must ensure that the Meter Data obtained by the CAISO directly from their revenue quality meters is raw, unedited and un-aggregated Meter Data in kWh values. The CAISO will be responsible for the Validation, Estimation, and Editing process of that Meter Data in order to produce Settlement Quality Meter Data.

Subject to any exemption granted by CAISO, Meter Data of CAISO Metered Entities must be recorded at 5-minute intervals and will be collected in accordance with the provision of the applicable Business Practice Manual. The CAISO may also collect Meter Data on demand as provided in the applicable Business Practice Manual. CAISO issues such demands using voice communications. If CAISO issues a demand for Meter Data to a CAISO Metered Entity, the CAISO Metered Entity must provide that Meter Data to CAISO within 10 minutes of receiving the demand from CAISO or, if that CAISO Metered Entity has been granted an exemption from directly interfacing with RMDAPS, within the time period specified in that exemption.

### **5.1.3 Access to Settlement Quality Meter Data**

CAISO Tariff Section 10.2.1.3

CAISO Metered Entities and Scheduling Coordinators representing CAISO Metered Entities obtain Settlement Quality Meter Data by directly accessing the Settlement Quality Meter Data Systems.

For CAISO Metered Entities with meter data user role access SQMD can be retrieved through the API (web service) and User Interface (UI).

Meter Data from CAISO polled meters is validated, estimated and edited to produce Actual Settlement Quality Meter Data that is made available to Scheduling Coordinators by T+7B to be used in the Initial Settlement Statement T+9B. In the event Revenue Quality Meter Data is not

---

available by T+7B, the CAISO will estimate outstanding metered Demand and/or Generation for Settlement Quality Meter Data for CAISO Metered Entities in accordance with CAISO Tariff Sections 10.3.6.1 and 11.1.5.

If the CAISO is notified in accordance with CAISO Tariff Section 10.2.13.2 that the revenue quality meter for a CAISO Metered Entity requires repair, the CAISO will produce Settlement Quality Meter Data (actual) for that entity using the estimation procedures referred to in CAISO Tariff Section 10.2.9, which will be made available to the Scheduling Coordinator for the CAISO Metered Entity within fifty two (52) business days from the Trading Day (T+52B) and will be used in the Recalculation Settlement Statement T+70B calculation.

Please note that, through 2021, CAISO will continue to issue settlement statements for trading days before 1/1/2021 that have earlier deadlines for submitting meter data. For additional information about the previously effective settlement timeline and applicable deadline, see version 21 of this BPM or the CAISO Settlements Calendar.

#### **5.1.4 Maintenance & Repairs**

CAISO Tariff Section 10.2.13.1

CAISO Metered Entities must maintain their Metering Facilities so that those Metering Facilities continue to meet the standards prescribed by the CAISO Tariff and this BPM.

If the Metering Facilities of a CAISO Metered Entity require maintenance in order to ensure that they operate in accordance with the requirements of the CAISO Tariff, the CAISO Metered Entity must notify CAISO by telephone or other means specified by CAISO of the need for such maintenance. The CAISO Metered Entity must also inform CAISO of the time period during which such maintenance is expected to occur. During that period, the CAISO Metered Entity or its authorized representative is entitled to access those sealed Metering Facilities to which access is required in order to undertake the required maintenance. Maintenance should be documented in the CAISO Maintenance Form. This form is located on the Site Verification Data Sheet at: [www.aiso.com](http://www.aiso.com).

During periods for which no Meter Data is available from a meter that has a current Certificate of Compliance, CAISO performs VEE as stated in Section 3.4. That Meter Data is used by CAISO in its Settlement and billing process.

CAISO Tariff Section 10.2.13.2



If a certified meter of a CAISO Metered Entity requires repairs to ensure that it operates in accordance with the requirements of this BPM, the CAISO Metered Entity, or its SC, must immediately notify CAISO of the need for repairing that meter and must ensure that those repairs are completed:

Where there is no Backup Meter installed, resolution of repairs need to be submitted to CAISO within 48 hours of the notification by CAISO

Where there is a Backup Meter installed, resolution of repairs need to be submitted within five Business Days of the notification to the CAISO

### 5.1.5 Meter Site Security

CAISO Tariff Section 10.2.8.1

CAISO Metered Entities and secondary devices that could have any impact on the performance of the Metering Facilities must be sealed by CAISO or a CAISO Authorized Inspector.

The NEMA<sup>2</sup> enclosures containing the CAISO certified meter must be located in a secure location. In addition, revenue meters and revenue meter test switches must be sealed. The (test switches) shorting switches for the current circuit and the voltage switches (if one exists) must be sealed to prevent loss of revenue. Instrument transformer secondary compartments must be secured with a CAISO seal.

## 5.2 Certification of Metering Facilities

Section 3.2.3 describes the specific requirements for certification and the maintenance of Metering Facility certification for CAISO Metered Entities.

## 5.3 Telecommunication Requirements

CAISO Metered Entities must provide the proper telecommunication channels and router/terminal servers to CAISO's secure communication system. The CAISO Metered Entity must provide telecommunications between (both to and from) CAISO's secure communication network to its revenue quality meters that are in accordance with the CAISO Information Security Requirements<sup>3</sup>. The internet option available in accordance with the CAISO Information Security Requirements is available for CAISO metered entity sites ~~that are less~~

---

<sup>2</sup> National Electrical Manufacturers Association

<sup>3</sup> CAISO Information Security Requirements are located on the CAISO Website at, <http://www.caiso.com/177d/177d93982c5c0.html>.

~~than 10 MWe~~ with the recognition that this option is not available with encryption capability. Entities may choose this option and acknowledge their acceptance of risk in its use by signing the CAISO Information Security Requirements document. The CAISO may collect Meter data on daily basis and also on Demand. CAISO Metered Entities must provide router/terminal servers to interface the telecommunication channels to revenue quality meters. Each revenue quality meter uses an RS-232 interface or other CAISO approved technology.

## 6. Scheduling Coordinators for Scheduling Coordinator Metered Entity Responsibilities

Welcome to the Scheduling Coordinators *for Scheduling Coordinator Metered Entities Responsibilities* section of the *BPM for Metering*. In this section you will find the following information:

- A description of the Settlement Quality Meter Data Plan
- An indication of where to find meter certification requirements
- Auditing and Testing provisions for Scheduling Coordinator Metered Entities

### 6.1 Settlement Quality Meter Data (SQMD) Plan

CAISO Tariff Section 10.3.7.1

Scheduling Coordinators for Scheduling Coordinator Metered Entity's that were not participating as such before April 10, 2017 (based on the effective start date of the Resource\_ID that shall be SCME as established in the CAISO Masterfile) or that re-power, modify their Meter Data interval, or add generating capacity after April 10, 2017, must submit an SQMD Plan to ensure that the Scheduling Coordinator will submit and maintain the integrity of Meter Data submitted to the CAISO for that Scheduling Coordinator Metered Entity. The SQMD Plan will describe how the Scheduling Coordinator will collect, maintain, aggregate, and submit Settlement Quality Meter Data in accordance with CAISO Tariff and, where applicable, Local Regulatory Authority metering and settlement standards. SQMD Plans will include detailed descriptions of the following, as applicable, for each Scheduling Coordinator Metered Entity or Scheduling Coordinator Metered Entity aggregation or calculation:

- (1) The type, programming, and configuration of all associated metering devices;
- (2) How the Scheduling Coordinator or its agent will collect, validate, aggregate, and submit associated Meter Data;

- (3) Single-line diagrams must be issued for Construction (IFC) or As-Built. ~~In either case, the~~ Issued for Construction schematics must be Professional Engineer (PE) Stamped (or equivalent) depicting the physical elements and relationships among the metering device(s);
- (4) Any calculation or algorithm to derive Settlement Quality Meter Data from the metering device(s);
- (5) Processes for aggregating individual Scheduling Coordinator Metered Entities and Resource IDs; and
- (6) Plans and schedules to perform regular tests of the metering devices and audit the associated Meter Data pursuant to CAISO Tariff requirements.

### 6.1.1 CAISO Review of SQMD Plan

CAISO Tariff Section 10.3.7.2

The CAISO must approve a Scheduling Coordinator Metered Entity's SQMD Plan before the Scheduling Coordinator may submit Bids on its behalf in the CAISO Markets.

### 6.1.2 SQMD Plan Modifications

CAISO Tariff Section 10.3.7.2

Scheduling Coordinator Metered Entities may propose for CAISO approval modifications to approved SQMD Plans. So long as the Scheduling Coordinator Metered Entity remains in compliance with its existing SQMD Plan, or where the proposed modification intends to bring the Scheduling Coordinator Metered Entity into compliance, the associated Scheduling Coordinator may continue to submit Meter Data for settlement while the CAISO reviews the SQMD Plan modifications.

### 6.1.3 SQMD Plan Audits and CAISO Remedies

CAISO Tariff Section 10.3.7.3

In addition to the CAISO's audit rights pursuant to this Section 10, the CAISO may perform audits or inspections to ensure that Scheduling Coordinators and Scheduling Coordinator Metered Entities have implemented and comply with their SQMD Plans. Based on an audit, inspection, or other information, the CAISO will determine whether the Scheduling Coordinator Metered Entity must modify its SQMD Plan or is subject to penalty under the CAISO Tariff, including conversion to a CAISO Metered Entity.

### 6.1.4 Annual Affirmation

CAISO Tariff Section 10.3.7.5

In addition to the auditing and testing requirements contained in its SQMD Plan, on an annual basis the Scheduling Coordinator Metered Entity must perform a self-assessment and submit a written, executed affirmation to the CAISO that it has implemented and continues to comply with its SQMD Plan.

Any SC that has an approved SQMD Plan and has implemented the plan for at least 1 Trading Day, and has submitted the SQMD is required to comply with this requirement.

To ensure that the CAISO understands all SCMEs covered by an SQMD plan, the SC must include, within this affirmation, a list of Resource IDs for each SCME. Where the Scheduling Coordinator Metered Entity identifies its inability to affirm compliance to its SQMD plan, it will describe the issue to the CAISO and include its plan to remedy the issue, including estimated completion dates. The associated Scheduling Coordinator may continue to submit Meter Data for settlement while the CAISO reviews the plan to remedy the issue.

To assist in the process, the CAISO will initiate an SQMD Plan Affirmation to the Scheduling Coordinator for digital signature. The Scheduling Coordinator will sign and attach a list of Resource IDs by the due date. Additionally, a free form text area will be available within the document for the Scheduling Coordinator to note changes or plans for changes to its SQMD Plan.

The affirmation is due annually on October 31<sup>st</sup>. If the due date is not a Business Day, then the affirmation is due on the first Business Day in November. The Annual Affirmation is due on the same day of as the bi-annual SC Self Audit Attestation, where applicable (see Section 6.4.2 of this BPM).

### **6.1.5 EIM Load Aggregation Point (ELAP) Calculation**

EIM Load Aggregation Point (ELAP) can be calculated using the below formula:

ELAP LOAD = GENERATION + TIE GENERATION + IMPORTS - EXPORTS

1. Aggregate all Generator Net MWh into a Balancing Area(BA) total Net Generation value
2. Aggregate all Intertie Meter Imports into a BA to Total Intertie Meter Import value
3. Aggregate all Intertie Meter Exports into a BA Total Intertie Meter Export value
4. Aggregate all non-conforming load into a BA total non-conforming load value.
5. Calculate ELAP Load for BA value

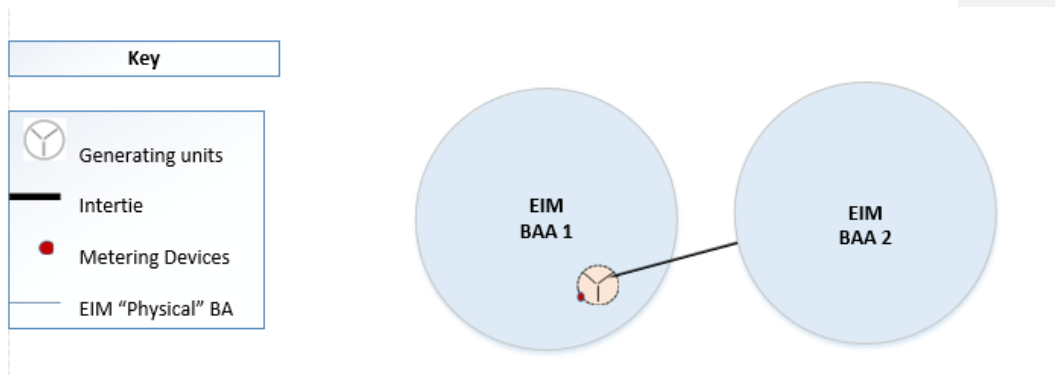
ELAP LOAD = [Total Net Internal Generation – (Total Physical Intertie Meter Export - Total Physical Intertie Meter Import) - Total Non-Conforming Load] \* (1 – System Loss Factor)

Pseudo Tied Generation and Financial Interties are recommended to be excluded from the ELAP Calculation.

For example:

Formatted: Heading 3, Space After: 0 pt, Line spacing: single

When there are two BAAs, BAA1 and BAA2. The physical location of the resource is in BAA1 but Pseudo Tied to BAA2.



- BAA1 can exclude Pseudo Tie resource from Total Generation and adjust the Export meter. The export meter will measure the energy export flow from BAA1 to BAA2  
or  
alternatively BAA1 can include the Pseudo Tie generator in the Total Generation so they do not need to adjust the export meter.
- BAA2 can exclude the Pseudo tie generator from Total Generation and not adjust the import meter. The import meter will measure the energy export flow from BAA1 to BAA2  
or  
alternatively BAA2 can include the Pseudo Tie generator in the Total Generation and then adjust the import meter.

## 6.2 Settlement Quality Meter Data

CAISO Tariff Section 10.3.2.1 and 10.3.14.1

Scheduling Coordinators that represent metered entities that are not directly polled by CAISO are responsible for submitting SQMD to CAISO. The Scheduling Coordinator must submit Estimated or Actual Settlement Quality Meter Data relating to the Scheduling Coordinator Metered Entities they represent to the CAISO by the given Meter Data submission deadlines referenced in the CAISO Payments Calendar. A detailed CAISO Payments Calendar may be found on the CAISO Website.

Where UDCs or Participating TOs serve adjacent service areas and have elected to submit Settlement Quality Meter Data at the intratie(s), they will be required to agree on the metering

configurations used for submitting Meter Data to the CAISO. If they cannot reach an agreement, the intratie(s) will be required to use revenue quality meters directly polled by the CAISO pursuant to Section 10.2.

Entities seeking a separate UFE calculation (9.3) are required to meet all CAISO Metered Entity metering requirements including those at the intratie to be polled directly via RMDAPS by CAISO.

A Scheduling Coordinator shall be responsible for:

- ❑ The collection of Meter Data for the Scheduling Coordinator Meter Entities it represents.
- ❑ The submission of Actual or Estimated Settlement Quality Meter Data to the CAISO by the Meter Data submittal deadlines as outlined in the CAISO Payments Calendar.
- ❑ Ensuring sound estimation practices and other available information is used when submitting estimated data by T+7B, including but not limited to bids, schedules, forecasts, operating logs, and historical data. Estimated data must be a good faith estimate that reasonably represents Demand and/or Generation quantities for each Settlement Period.
- ❑ Replacing Estimated Settlement Quality Meter Data used in the Recalculation Settlement Statement T+70B no later than T+52B.
- ❑ Ensuring Settlement Quality Meter Data submitted to the CAISO meets the requirements of CAISO Tariff Section 10.
- ❑ Aggregating Settlement Quality Meter Data to the level of the registration configuration of a Proxy Demand Resource specified in the Demand Response System.
- ❑ Aggregating Settlement Quality Meter Data to the level of the market resource configuration for Distributed Energy Resource Aggregations (DERA) as specified in the Distributed Energy Resource Provider Agreement (DERPA) Schedule 1.
- ❑ For Scheduling Coordinator Metered Entities not participating as such before April 10, 2017, submission of and compliance with the entity's SQMD plan, including an annual self-assessment and declaration of compliance.

- Effective Jan 1, 2021, Scheduling Coordinators are required to submit the Excess Behind the Meter Production (EBTMP) using the same resource ID as load. EBTMP represents the amount of generation that exceeds host consumption. EBTMP does not apply to EIM entities, and to certain entities that have metering arrangements negotiated and implemented before the ISO's inception, such as some smaller POU's and certain MSS entities.

### 6.2.1 Settlement Quality Meter Data Format

#### CAISO Tariff Section 10.3.2.2

Scheduling Coordinators have the option to use two different submission methodologies: (1) User interface (UI) or (2) Application Programming Interface (API) web service. For API, the format must be in XML. For the UI, the format can be in either CSV, XML, or MDEF. In addition, all SQMD submissions must be in Greenwich Mean Time (GMT) format year round.

Scheduling Coordinators shall submit Settlement Quality Meter Data (Actual or Estimated) to the Settlement Quality Meter Data System for the Scheduling Coordinator Metered Entities they represent using one of CAISO's approved Meter Data Exchange Formats.

Subject to any exemption granted by the CAISO, Scheduling Coordinators must ensure that Settlement Quality Meter Data submitted to the CAISO is in intervals of five (5) minutes for EIM Interties, Loads providing Ancillary Services, and Generators providing Ancillary Services. Scheduling Coordinators for EIM Participating Resources or for Generators not providing Ancillary Services may elect to submit Meter Data in 5-minute or 15-minute intervals. Scheduling Coordinators for all other Scheduling Coordinator Metered Entities may elect to submit Meter Data in 5-minute, 15-minute, or 60-minute intervals. Elections will be recorded by the CAISO, and may not be deviated from or revised except by application. The elected interval may not be a granularity lower than what may be programmed on the Scheduling Coordinator Metered Entity's physical meter(s) or as specified in the applicable Business Practice Manual.

Each Scheduling Coordinator shall submit Settlement Quality Meter Data in kWh or MWh values for all of the Scheduling Coordinator Metered Entities for which it is responsible, aggregated by the applicable market or resource level.

For Market Participants using the Meter Data Exchange Format (MDEF) or Comma Separated Values (CSV) format specifications can be found in the Interface Specification – OMAR Online Replacement document, which is available on the CAISO Website at:

<http://www.caiso.com/Pages/documentsbygroup.aspx?GroupID=53D6EA67-9F4A-434D-8C41-BAA46169A237>

### 6.2.1.1 Loss Factors

CAISO Tariff Section 10.3.3

Where a Scheduling Coordinator Metered Entity is connected to a UDC's Distribution System, the responsible Scheduling Coordinator shall adjust the Meter Data by an estimated Distribution System loss factor to derive an equivalent CAISO Controlled Grid level measure. Such estimated Distribution System loss factors shall be approved by the relevant Local Regulatory Authority prior to their use. The Scheduling Coordinator must aggregate its equivalent CAISO Controlled Grid-level Meter Data for its Scheduling Coordinator Metered Entities.

### 6.2.1.2 Approved Load Profile Authorization

CAISO Tariff Section 10.3.4

Scheduling Coordinators are responsible for obtaining all necessary authorizations from Local Regulatory Authorities having jurisdiction over the use of profiled Meter Data in any Settlement process in which Approved Load Profiles are used to allocate consumption to Settlement Periods

### 6.2.1.3 Access to Settlement Quality Meter Data Systems (SQMDS)

Access to SQMDS shall be handled by the User Access Administrator (UAA) formerly known as the Point of Contact (POC). The UAA shall use Access identity Management (AIM) to manage access for the user(s), Scheduling Coordinators (SCs), and resource level granularity.

Furthermore, SQMDS will require a Common Multiple Application (CMA) digital certificate for authentication. Access to the application will be based on ISO standards for role based authorization, which allows multiple user roles and access rights (i.e. SC, third party, etc.)

More information on how to submit a request for application access can be found at

<http://www.caiso.com/Documents/ISO-UserAccessAdministratorEstablishment-Requirements.pdf>

## 6.2.2 Settlement Quality Meter Data Submission Timing

### ***Initial Settlement Statement T+9B:***

CAISO Tariff Section 10.3.6.2

The ISO will estimate all meter data for the T+9B statement which includes:

- Scheduling Coordinator Metered Entities



- ❑ CAISO Meter Entities
- ❑ Non-PTO wheeling data
- ❑ Proxy Demand Resources and Reliability Demand Response Resources
- ❑ Distributed Energy Resource Aggregations

Scheduling Coordinators can submit either Actual Settlement Quality Meter Data or Scheduling Coordinator Estimated Settlement Quality Meter Data for the Scheduling Coordinator Metered Entities they represent to the CAISO no later than 10 am (Pacific Time) on the seventh Business Day after the Trading Day (T+7B) for the Initial Settlement Statement T+9B calculation.

- ❑ SQMD Systems Estimated Settlement Quality Meter Data (ESQMD) will not be accepted by the CAISO after the T+7B Meter Data submittal deadline.
- ❑ When Actual or Estimated Settlement Quality Meter Data is not received for a Scheduling Coordinator Metered Entity by T+7B, 10:00 am Pacific Time, the CAISO will estimate metered Generation and/or Demand for the Initial Settlement Statement T+9B; including Proxy Demand Resources and Reliability Demand Response Resources.

***Recalculation Settlement Statement T+70B:***

CAISO Tariff Section 10.3.6.3

Scheduling Coordinators must submit Actual Settlement Quality Meter Data for the Scheduling Coordinator Metered Entities they represent to the CAISO no later than 23:59:59 on the fifty-second business day after the Trading Day (T+52B) for the Recalculation Settlement Statement T+70B to avoid possible Sanctions pursuant to CAISO Tariff Section 37.5.

- ❑ Actual Settlement Quality Meter Data not received by the CAISO by the Meter Data submittal deadline of T+52B is considered late and subject to Sanctions pursuant to the Rules of Conduct set forth in Section 37.5 of the CAISO Tariff.
- ❑ Scheduling Coordinator Estimated Settlement Quality Meter Data must be replaced no later than T+52B. Estimated Settlement Quality Meter Data not replaced by actual data will be considered late and the Scheduling Coordinator will be subject to Sanctions pursuant to Section 37.5 of the CAISO Tariff.
- ❑ Any CAISO Estimated Settlement Quality Meter Data not replaced with Actual Settlement Quality Meter Data by the Scheduling Coordinator by T+52B will be set to zero and will not be used for any subsequent Recalculation Settlement Statements.

---

**Submission of meter data after the T+52B meter submittal deadline (CAISO Tariff Section 10.3.6.4)**

Scheduling Coordinators may continue to submit Actual Settlement Quality Meter Data for the Scheduling Coordinator Metered Entities they represent to the CAISO for use in Recalculation Settlement Statements according to the timelines established in the CAISO Payments Calendar.

- ❑ Meter Data submitted greater than T+214B will be automatically rejected and not used in settlements.
- ❑ Scheduling Coordinators have the option to submit as many times per trade date prior to T+214B; however, the system will only keep two version, (1) Current ad (Previous). In addition, the SCs will be subject to Rules of Conduct set forth in Section 37.5 of the CAISO Tariff for SQMD re-submitted after T+52B and interest based on the recalculated settlement amount.
- ❑ Penalties associated with the Rules of Conduct will be based on a given Trade Date per Scheduling Coordinator ID (SCID) regardless of the number of versions submitted.

For settlements publication timeline, please refer to section on [Schedule for Settlement Statement Publication of the BPM for Settlements and Billing.](#)"

Please note that, through 2021, CAISO will continue to issue settlement statements for trading days before 1/1/2021 that have earlier deadlines for submitting meter data. For additional information about the previously effective settlement timeline and applicable deadline, see version 21 of this BPM or the CAISO Settlements Calendar.

### **6.2.3 Process for Submittal & Resubmittal of Settlement Quality Meter Data**

All Scheduling Coordinators for Scheduling Coordinator Metered Entities are responsible for submitting SQMD for each Settlement Period except for the Initial Settlement Statement T+9B (CAISO Estimated). SQMD is considered complete when the SC's file contains appropriate Meter Data for all of the Scheduling Coordinator Metered Entities that the SC represents on that Trading Day.

Scheduling Coordinators must also submit SQMD on demand. CAISO issues such demands using voice communications. If CAISO issues a demand for SQMD, the Scheduling Coordinator from which CAISO demands that data must submit it to CAISO within four hours of receiving the demand from CAISO.

#### **6.2.4 Failure to Submit Accurate Settlement Quality Meter Data (Actual, Estimated)**

Actual Settlement Quality Meter Data not successfully received by the CAISO for a Scheduling Coordinator Metered Entity by T+52 business days from the Trading Day is considered late Meter Data. Any occurrence of late Meter Data is a violation of the CAISO Tariff and may receive Sanctions as described in Section 37.5.2 and Section 37.6.1 of the CAISO Tariff.

Refer to Section 6.1.1 of this BPM and CAISO Tariff Section 10.3.6 regarding actual and estimated Settlement Quality Meter Data and the consequence of not submitting accurate and actual Settlement Quality Meter Data.

### **6.3 Certification of Meters**

Section 3.2.4 describes the Scheduling Coordinator Metered Entities specific requirements for meter certification and the Scheduling Coordinator for the Scheduling Coordinator Metered Entity responsibility to ensure maintenance of that certification as required by the Local Regulatory Authority or UDC.

### **6.4 Audit & Testing**

#### **6.4.1 Audit & Testing of Metering Facilities**

CAISO Tariff Section 10.3.10.1

At least every two years, each Scheduling Coordinator shall (or engage an independent, qualified entity to conduct) audit and test the Metering Facilities of the Scheduling Coordinator Metered Entities that it represents and the Meter Data provided to the Scheduling Coordinator in order to ensure compliance with all applicable requirements of any relevant Local Regulatory Authority, the CAISO tariff, and the Scheduling Coordinator Metered Entity's SQMD Plan.

#### **6.4.2 Scheduling Coordinator Self-Audit Attestation**

CAISO Tariff Section 10.3.10.1

A Scheduling Coordinator shall submit a management attestation to demonstrate it has completed the 10.3.10.1 tariff requirement.

Beginning April 10, 2017, the CAISO Tariff was revised to require the management attestation to be due bi-annually. To implement this change, starting with audits due by October 31, 2018, the management attestation will be due every even year. If a Scheduling Coordinator does not follow a prescribed audit period, the CAISO suggests a one-year lookback of the Scheduling

Coordinators SQMD practices. The one year lookback will fall within the 2 years between when the last SC Self Audit Attestation was submitted to the CAISO, to when the present SC Self Audit Attestation is due (i.e. the 2018 SC Audit Attestation will include an audit that includes a period between 10/1/2016-9/30/2018). Scheduling Coordinators shall also undertake any other actions that are reasonably necessary to ensure the accuracy and integrity of the Settlement Quality Meter Data (actual or Scheduling Coordinator estimated) provided by them to the CAISO. The SC Self-Audit must evaluate the process flow of Meter Data beginning with obtaining meter data, Validation, Estimation and Editing (VEE) and following the process through submittal of Actual SQMD to the CAISO.

The management attestation is due to the ISO on October 31<sup>st</sup> of the applicable year. If the due date is not a Business Day, then the management attestation is due on the first Business Day in November. Failure to submit a management attestation by the due date is a violation of tariff requirement 10.3.10.1 and results in a Rules of Conduct violation, section 37.6.3.2, of \$1,000/day until the management attestation is received by the ISO.

To assist in the process, the CAISO will provide a management attestation document to the Scheduling Coordinator for digital signature. The Scheduling Coordinator will list the following:

- If applicable, an explanation of any errors identified and corrective actions taken to prevent recurrence.
- A description of who completed the audit (name, title and company name)
- The period reviewed during the audit and testing

Supporting data does not need to be provided with the management attestation, however, the ISO maintains the right to ask for and review any material used to complete the Scheduling Coordinator's SC Self Audit.

### **6.4.3 Audit & Testing by CAISO**

CAISO Tariff Section 10.3.10.2

Subject to any applicable Local Regulatory Authority requirements, the Metering Facilities and data handling and processing procedures of Scheduling Coordinators and Scheduling Coordinator Metered Entities are subject to audit and testing by the CAISO or a CAISO Authorized Inspector. Subject to any applicable Local Regulatory Authority requirements, the CAISO has the right to either conduct any audit or test it considers necessary or to witness such audit or test carried out by the Scheduling Coordinator, Scheduling Coordinator Metered Entity or a CAISO

---

Authorized Inspector engaged by the Scheduling Coordinator, Scheduling Coordinator Metered Entity or the CAISO to carry out those audits or tests.

## 7. Meter Service Agreements

Welcome to the *Meter Service Agreement* section of the *BPM for Metering*. In this section you will find the following information:

A description of the Meter Service Agreement for CAISO Metered Entities

A description of the Meter Service Agreement for Scheduling Coordinators for Scheduling Coordinator Metered Entities

A description of the Scheduling Coordinator Agreement

A description of the Net Scheduled Participating Generator Agreement

### 7.1 CAISO Metered Entities

CAISO Tariff Appendix B.6

A CAISO Metered Entity must sign a Meter Service Agreement for CAISO Metered Entities MSA CAISOME with CAISO. CAISO establishes Meter Service Agreements with CAISO Metered Entities for the collection of Revenue Quality Meter Data. Such agreements specify that CAISO Metered Entities make available to CAISO's RMDAPS, Revenue Quality Meter Data meeting the requirements of this BPM. The Meter Service Agreement and this BPM specify the format of Meter Data to be submitted, which is identified by Transmission Owner, Distribution System, PNode, CAISO Controlled Grid interface point and other information reasonably required by CAISO. A Meter Service Agreement entered into by a CAISO Metered Entity only applies to those entities that the CAISO Metered Entity represents. Meter Service Agreements identify other authorized users that are allowed to access the SQMD relating to the CAISO Metered Entities. The CAISO Metered Entity must amend the MSA CAISOME to identify any new authorized users. A *pro forma* version of the Meter Service Agreement for ISO Metered Entities is set forth in Appendix B.6 of the CAISO Tariff and can be found on CAISO Website at: [www.caiso.com](http://www.caiso.com).

---

## 7.2 Scheduling Coordinator Metered Entities

CAISO Tariff Appendix B.7

A Scheduling Coordinator for a Scheduling Coordinator Metered Entity must sign a Meter Service Agreement for Scheduling Coordinators (MSA SC) with the CAISO. The Scheduling Coordinator for a Scheduling Coordinator Metered Entity is responsible for providing SQMD for Scheduling Coordinator Metered Entities it represents. Such agreements specify that Scheduling Coordinators require their Scheduling Coordinator Metered Entities to adhere to the meter requirements of the CAISO Tariff applicable to Scheduling Coordinators for Scheduling Coordinator Metered Entities, which include those set forth in Section 6 of this BPM. A Meter Service Agreement entered into by a Scheduling Coordinator applies to the Scheduling Coordinator only in its capacity as Scheduling Coordinator for those Scheduling Coordinator Metered Entities. A *pro forma* version of the Meter Service Agreement for Scheduling Coordinators is set forth in Appendix B.7 of the CAISO Tariff and can be found on the CAISO Website at: [www.caiso.com](http://www.caiso.com).

## 7.3 Scheduling Coordinator Agreement

CAISO Tariff Appendix B.1

Prior to commencing the process to become certified to provide SQMD for Scheduling Coordinator Metered Entities, a Scheduling Coordinator must sign a Scheduling Coordinator Agreement. A *pro forma* version of the Scheduling Coordinator Agreement is set forth in Appendix B.1 of the CAISO Tariff and can be found on the CAISO Website at: [www.caiso.com](http://www.caiso.com).

## 7.4 Net Scheduled Participating Generator Agreement

CAISO Tariff Appendix B.3

If a Participating Generator has a Qualifying Facility and wishes to be eligible for the requirements applicable to metering for QFs specified in Section 11 of this BPM, the Participating Generator must sign a Net Scheduled Participating Generator Agreement. A *pro forma* version of the Net Scheduled Participating Generator Agreement is set forth in Appendix B.3 of the CAISO Tariff and can be found on the CAISO Website at: [www.caiso.com](http://www.caiso.com).

## 8. Exemptions

Welcome to the *Exemptions* section of the *BPM for Metering*. In this section you will find the following information:

A description of the exemption guidelines

A description of the exemption application procedure

A description of the permitted exemptions

CAISO Tariff Sections 10.2.12 and 10.4.1

CAISO has the authority to grant exemptions from certain CAISO metering standards for a CAISO Metered Entity that is subject to CAISO metering standards. A CAISO Metered Entity with an exemption must provide site specific RQMD to CAISO in accordance with its meter service agreement, the CAISO Tariff and this BPM. A Generator with a Generating Unit connected directly to a UDC Distribution System that sells its entire output to the UDC in which the Generating Unit is located is not subject to the CAISO Metered Entity audit, testing or certification requirements of CAISO.

In addition to exemptions granted to individual entities, CAISO may grant exemptions that apply to a class of entities. CAISO may grant class exemptions whether or not it has received any application for an exemption.

### 8.1 Guidelines

CAISO Tariff Section 10.4.2

CAISO uses the following guidelines when considering applications for exemptions from compliance with the CAISO Tariff.

#### 8.1.1 Publication of Guidelines

CAISO Tariff Section 10.4.2 (a)

CAISO publishes the general guidelines that it uses when considering applications for exemptions so as to achieve consistency in its reasoning and decision-making and to give prospective applicants an indication of whether an application receives favorable consideration. The Metering Exemption Guidelines are located on CAISO Website at:

<http://www.caiso.com/Documents/5730.pdf>

---

### 8.1.2 Metering Exemption Publication

CAISO Tariff Section 10.4.2(b)

CAISO publishes on the CAISO Website a description of each granted request it receives for an exemption and publishes the request and the reason for the exemption. Exemption Publications are located on the CAISO website at:

<http://www.caiso.com/Documents/MeteringExemptionsListingReport.pdf>

## 8.2 Request for Exemption Procedure

CAISO Tariff Section 10.4.3

All requests to CAISO for exemptions from compliance with the requirements of the CAISO Tariff must be made in writing. CAISO confirms receipt of each request it receives within three Business Days of receiving the request. CAISO decides whether to grant the exemption within ten Business Days of receiving the request. If the CAISO determines that it is not possible to complete the exemption request within ten Business Days, the applicant will be contacted in order to discuss a future date for disposition of the request. At any time during that period, CAISO may require the applicant to provide additional information in support of its request. The applicant must provide such additional information to CAISO within five Business Days of receiving the request for additional information or within such other period as CAISO notifies the applicant. If CAISO makes a request for additional information more than five Business Days after the date on which it received the request, CAISO has an additional five Business Days after receiving that additional information in which to consider the request. If the applicant does not provide the additional information requested, CAISO may refuse the request in which case it notifies the applicant that its request has been rejected for failure to provide the additional information.

The request submitted to CAISO must provide:

- A detailed description of the exemption sought and the facilities to which the exemption applies
- A detailed statement of the reason for seeking the exemption (including any supporting documentation)
- Details of the entity to which the exemption applies
- Details of the location to which the exemption applies



- ❑ Details of the period of time for which the exemption applies (including the proposed start and finish dates of that period)
- ❑ Any other information requested by CAISO

### 8.3 Permitted Exemptions

CAISO Tariff Section 10.4.4

This section provides a summary of the exemptions that are available. These exemptions fall into two broad categories:

- ❑ Exemptions from providing Meter Data directly to RMDAPS
- ❑ Exemptions from meter standards

#### 8.3.1 Exemptions from Providing Meter Data Directly to RMDAPS

CAISO Tariff Section 10.4.4.1

CAISO has the authority under the CAISO Tariff to exempt CAISO Metered Entities from the requirement to make Meter Data directly available to CAISO via RMDAPS. CAISO may, at its discretion, grant such an exemption where it considers the requirement to install communication links (or related facilities) between the CAISO Metered Entity and CAISO's secure communication system to allow CAISO to directly poll that CAISO Metered Entity is impractical or uneconomic.

#### 8.3.2 Exemptions from Meter Standards

CAISO Tariff Section 10.4.4.2

CAISO has the authority under the CAISO Tariff to exempt CAISO Metered Entities from the requirement to comply with the meter standards referred to in the CAISO Tariff.

---

## 9. Other Metering Configurations

Welcome to the *Other Metering Configurations* section of the *BPM for Metering*. In this section you will find the following information:

- A description of the metering configuration for MSSs
- A description of the metering configuration for Dynamic System Resources
- A description of the metering configuration for utility Service Areas that request separate UFE calculation
- A description of the metering configuration for Participating Loads

Various metering configurations are allowed in the CAISO Markets. This section describes some of these configurations, which differ from the traditional Generating Unit or Load schema.

### 9.1 Metered Subsystems

CAISO Tariff Appendix A

A Metered Subsystem (MSS) is essentially a separate operating area within the CAISO Control Area that is encompassed by CAISO certified revenue quality meters at each interface point with the CAISO Controlled Grid or with any other portion of the interconnected electric grid in the CAISO Control Area. CAISO certified revenue quality meters are also required for each interface point with all Generating Units within the MSS.

CAISO Tariff Section 4.9.11.1.1

CAISO and each MSS Operator each have the right, if mutually agreed, on reasonable notice to install or to have installed equipment (including metering equipment) or other facilities on the property of the other. This right is permitted to the extent that such installation is necessary for the installing party to meet its service obligations, but prohibited to the extent that doing so would have a negative impact on the reliability of the service provided by the party owning the property.

CAISO Tariff Section 4.9.12.2.5

Each MSS must install CAISO certified meters on each individual Generating Unit that is aggregated into a System Unit.

---

## 9.2 Dynamic System Resource Meters

CAISO Tariff Appendix X

A Dynamic System Resource is a resource located outside the CAISO Controlled Area Grid that is capable of submitting a Dynamic Schedule that can change in Real-Time. A Dynamic Schedule is a telemetered reading or value which is updated in Real-Time and which is used as a schedule in the CAISO Energy Management System calculation of Area Control Error and the integrated value of which is treated as a schedule for interchange accounting purposes. A Dynamic Schedule is commonly used for “scheduling” jointly owned generation to or from another Control Area.

Because of the unique nature of this configuration, a Scheduling Coordinator representing a resource that wants to become a Dynamic System Resource needs to contact a CAISO account manager for specific metering requirements.

## 9.3 Metering for Separate UFE Calculations

CAISO Tariff Section 10.2.1.1 and Appendix A

UDCs and other utilities with CAISO certified metering at points of connection of their Service Areas with the systems of other utilities can request and receive separately calculated UFE. Utilities meeting these requirements are CAISO Metered Entities for all purposes of the CAISO Tariff and this BPM

Entities granted such separate UFE calculation are required to meet all metering requirements associated with CAISO Metered Entities including the direct polling of such meters via RMDAPS by CAISO.

UDCs and other utilities with a separate UFE calculation will schedule Load to the LAP; however, the metered Load will be assigned to the appropriate UDC for purposes of UFE calculation.

## 9.4 Metering for Participating Load Program

CAISO Tariff Section 4.7

The CAISO’s Participating Load program allows Loads to utilize Curtailable Demand to provide Non-Spinning Reserve and Imbalance Energy in the CAISO’s Markets. Participating Loads that are CAISO Metered Entities must use CAISO certified metering as defined in the MSA CAISOME, the CAISO Tariff and this BPM. Scheduling Coordinator Metered Entities that

participate in the Participating Load program must meet the requirements listed in Section 3.2.2 of this Metering BPM. ~~of the CAISO Participating Load Technical Standards that are posted on the CAISO Website at:~~

<http://www.caiso.com/docs/2001/01/22/200101221153242073.pdf>

## 10. Station Power Program

Welcome to the *Station Power Program* section of the *BPM for Metering*. In this section you will find the following information:

- A description of the eligibility requirements for self-supply of Station Power
- A description of the application process to self-supply Station Power
- A description of the monitoring and review of Station Power Portfolio applications undertaken by the CAISO
- A description of the self-supply verification process and CAISO charges that apply
- A description of the metering requirements for self-supply of Station Power
- A description of the provision of data to UDCs or MSS Operators

### 10.1 Station Power Program Overview

- Station Power is the Energy used to operate auxiliary equipment and other Load that is directly related to the production of Energy by a Generating Unit (e.g., heating and lighting for offices located at the plant). FERC has established a policy that allows a single entity that owns one or more Generating Units to self-supply Station Power over a monthly Period<sup>4</sup> using Energy generated on-site or remotely.

Through the CAISO Station Power Program, Generators can convert their Station Power from retail service to wholesale service.

---

<sup>4</sup> Period is one calendar month.

Station Power may be supplied in three ways:

- ❑ **On-Site Self-Supply** – Energy from a Generating Unit that is deemed to have self-supplied all or a portion of its Station Power Load without use of the CAISO Controlled Grid during the Period.
- ❑ **Remote Self-Supply** – Positive Net Output from generating resources in a Station Power Portfolio that is deemed to have self-supplied Station Power Load of other Generating Units in the Station Power Portfolio during the Period, where such supply requires the use of the CAISO Controlled Grid.
- ❑ **Third Party Supply** – Energy that is deemed to have been purchased from third parties to supply Station Power Load during the Period.

## 10.2 Eligibility

Only Generating Units that operate under the terms of a PGA, QF PGA or MSS Agreement are eligible to self-supply Station Power service. A Qualifying Facility (QF) that is not bound to the CAISO Tariff is not eligible to self-supply Station Power.

Station Power may be self-supplied by a single corporate entity, government agency, or joint powers agency or other legal entity organized under the laws of the State of California. A Station Power Portfolio may not include any facilities that are owned by the owner's corporate affiliates.

If an entity owns a jointly owned Generating Unit it may remotely self-supply the Station Power of its other Generating Units up to the amount of its entitlement to Energy from the jointly-owned Generating Unit provided that:

- ❑ The entity has the right to call upon that Energy for its own use
- ❑ The Energy entitlement is not characterized as a sale from the jointly owned Generating Unit to any of its joint owners

## 10.3 Limitations

Self-supply of Station Power is strictly voluntary. Nothing in the CAISO Tariff or this BPM is intended to:

- ❑ Preclude a Generator from purchasing Station Power pursuant to an applicable retail rate or tariff
- ❑ Supersede otherwise applicable jurisdiction of a Local Regulatory Authority, except in the event of a conflict between federal and state tariff provisions, in which case the federal tariff provisions control

## 10.4 Applications to Self-Supply Station Power

An application to establish a Station Power Portfolio or to modify the configuration of Station Power meters or the generating facilities included in a Station Power Portfolio must be submitted according to the process specified by the CAISO and includes the following information:

- ❑ One-line diagrams clearly showing the location and ownership of all Generating Units and Station Power meters, their connection to the CAISO Controlled Grid or Distribution System, and the status of breakers and switchgear for normal system operation
- ❑ Identification of any generating facilities outside the CAISO Control Area, used to provide Remote Self-Supply of Station Power within the proposed Station Power Portfolio. No loads associated with generating facilities outside the CAISO Control Area are supplied under the Station Power Program
- ❑ Certification that the applicant is the sole owner of all generating facilities proposed to be included in the Station Power Portfolio, and that the applicant has the right to call on Energy for its own use from its ownership share of any jointly owned facilities that are proposed to be used to self-supply Station Power
- ❑ Demonstration that each Station Power meter is certified in accordance with the CAISO Tariff
- ❑ Verification that each Station Power meter is subject to a Meter Service Agreement for CAISO Metered Entities, and that each Generating Unit is bound to the CAISO Tariff by a PGA, QF PGA, or MSS Agreement
- ❑ Verification that the applicant has arranged for terms of service with the responsible UDC or MSS Operator for the use of any distribution facilities required to self-supply Station Power
- ❑ A Station Power Portfolio application fee

---

The Station Power Portfolio Application Form is located on the CAISO Website at:  
<http://www.caiso.com/17c8/17c89da01e60.html>

## 10.5 CAISO Monitoring & Review

The CAISO takes the following actions with respect to each application to establish a Station Power Portfolio:

Within 10 Business Days from the receipt of a completed application, the CAISO will post information under “Station Power Portfolio Applications In Progress” that includes the name of the Generating Unit, the date received, the Scheduling Coordinator, the UDC and the status of the application.

Provides the appropriate UDC or MSS Operator and the Local Regulatory Authority with one-line diagrams and other information regarding each application.

Verifies that each Station Power meter is certified in accordance with the CAISO Tariff. All Load served by each Station Power meter must be consistent with the definition of Station Power, and any ineligible Load must have separate metering in place. Under no circumstances may ineligible Loads be served through a Station Power meter.

Makes a determination in consultation with the UDC or MSS Operator and the Local Regulatory Authority on the factual question of whether distribution facilities are involved in the requested self-supply of Station Power. Any disputes regarding such determinations are subject to the CAISO ADR Procedures of the CAISO Tariff.

Verifies metering schemes and assigns unique Load identifiers consistent with the CAISO data templates and VEE procedures that the Scheduling Coordinator responsible for each resource is required to use for scheduling and Settlement.

Posts on the CAISO Website within 10 Business Days after the start date for the implementation of a Station Power Portfolio a listing of the specific participating Station Power Generating Units located in the CAISO Control Area, and any generating facilities outside the CAISO Control Area, that compose each Station Power Portfolio, and that are eligible to participate in the self-supply of Station Power in accordance with the CAISO Tariff.

## 10.6 Self-Supply Verification & CAISO Charges

Self-supply of Station Power is subject to verification and CAISO charges.

At the end of each Period, the CAISO calculates the Net Output for each Generating Unit in the Station Power portfolio. If the Net Output is positive, then all Station Power associated with that Generating Unit, other than Load netted in accordance with the CAISO Tariff, is served by On-Site Self-Supply. Any positive Net Output from facilities in the Station Power Portfolio is available to provide Remote Self-Supply to any Generating Unit with negative Net Output. If the available Remote Self-Supply is less than the aggregate negative Net Output in the Station Power Portfolio, then the shortfall is deemed to have been served by Third Party Supply. The CAISO incorporates these determinations in its accounting and billing for the Period by reassigning Station Power to unique Load identifiers for Remote Self-Supply and Third Party Supply, as required. An example of this process to reallocate Station Power Load to the Station Power Load IDs is located in Attachment F of this BPM.

Station Power is not eligible for permitted netting pursuant to this Section 10 of this BPM should be scheduled in accordance with the CAISO Tariff and is assessed all charges applicable to metered Demand under the CAISO Tariff, except as provided in this BPM

In the event that CAISO has to reallocate Station Power Meter Data from the On-Site Self-Supply Load ID to either the Remote Self-Supply Load ID or the Third Party Supply ID, CAISO charges a monthly fee per Station Power Load ID to the portfolio owner's Scheduling Coordinator. The monthly reallocation will occur and be represented on the Recalculation Settlement Statement following the reallocation.

For example, if Station Power Portfolio contains two Station Power meters and both Remote Self-Supply and Third Party Supply is attributed to each Station Power meter, then the CAISO must reallocate Meter Data from the two On-Site Self-Supply Load IDs to the two Remote Self-Supply Load IDs and the two Third Party Load IDs. If the CAISO were charging a \$200 monthly fee, the portfolio owner's Scheduling Coordinator would receive four \$200 charges for this Meter Data reallocation for this month. The Scheduling Coordinator for the Station Power Portfolio is responsible for all CAISO Settlement charges for Load reported under the On-Site Self-Supply Load ID and the Remote Self-Supply ID. The UDC's Scheduling Coordinator is responsible for all CAISO Settlement charges for Load reported under the Third Party Load ID. Consistent with FERC precedent, Station Power Load to which On-Site Self-Supply is attributed are not subject to the CAISO's transmission Access Charge (TAC), while Station Power Load to which Remote Self-Supply and Third Party Supply is attributed are subject to the transmission Access Charge.

## 10.7 Station Power Portfolio Set-Up

In order to self-supply Station Power, a Generating Unit must be subject to a Meter Service Agreement for CAISO Metered Entities. If the Load associated with a Station Power meter is intended to be self-supplied only by On-Site Self-Supply, then two Load IDs are associated with



the meter. The default Load ID for each meter is the “On-Site Self-Supply Load ID”, which is assigned to the portfolio owner’s Scheduling Coordinator.

The second Load ID that is assigned to each Station Power meter is the “Third Party Supply Load ID”, which is associated with the Scheduling Coordinator of the UDC responsible for retail service. This Third Party Supply Load ID is used by CAISO after the Netting Period to identify Station Power Load for which the portfolio owner failed to self-supply Station Power. No Meter Data is reported under the Third Party Supply Load ID until a determination is made at the end of the Netting Period about whether or not the Generation in the Station Power Portfolio was sufficient to self-supply the Station Power Load in the Station Power Portfolio. If Station Power Load exceeds the available Generation, then CAISO shifts a portion of reported Load to the Third Party Supply Load ID. Any reallocated Third Party Supply Load will appear on the Scheduling Coordinator’s Recalculation Settlement Statement following the reallocation. As explained below, the CAISO requires that the UDC’s Scheduling Coordinator not schedule any Load using the Third Party Supply Load ID.

If there are one or more Generating Units in the Station Power Portfolio that could remotely self-supply Load served by a Station Power meter, then a “Remote Self Supply Load ID” is also specified for that meter. The Remote Self-Supply Load ID facilitates settlement of transmission charges and is associated with the portfolio owner’s Scheduling Coordinator. The portfolio owner’s Scheduling Coordinator is not allowed to schedule using the Remote Self Supply Load ID, but exclusively schedules any Load using the On-Site Self Supply Load ID.

The UDC’s Scheduling Coordinator should not schedule to the Third Party Supply Load ID. Since the Load that is reported under the Third Party Supply Load ID for any interval is not determined until after the end of the month, it is difficult or impossible to schedule such Load accurately.

## 10.8 Provision of Data to UDC or MSS Operator

At T+7 Business Days from the last day of the month, the CAISO posts to the Settlement Quality Meter Data Systems the amount of On-Site Self-Supply, Remote Self-Supply, and Third Party Supply serving Station Power in five-minute intervals for the previous month to allow the UDC or MSS Operator to assess charges, if any, under the applicable retail tariff(s). This data is preliminary Meter Data and is not considered actual Settlement Quality Meter Data until T+52 business days.

## 11. Qualifying Facility (QF) Metering

Welcome to the *Qualifying Facility (QF) Metering* section of the *BPM for Metering*. In this section you will find the following information:

A description of the inapplicability of CAISO metering requirements to Regulatory Must-Take Generation

A description of the eligibility requirements for net metering for QFs

A description of the metering requirements pursuant to the QF PGA

### 11.1 Inapplicability of CAISO Metering Requirements to Regulatory Must-Take Generation

CAISO Tariff Section 10.1.3.3

Generating Units that are QFs and that operate under the terms of an Existing QF Contract or other power purchase agreement (“PPA”) entered into pursuant to the Public Utility Regulatory Policies Act of 1978 (“PURPA”) are not subject to CAISO metering requirements. Instead, these QFs qualify as Regulatory Must-Take Generation. The metering requirements applicable to Regulatory Must-Take Generation are those set forth in the Existing QF Contract or other PURPA PPA.

### 11.2 QF Eligibility for Net Metering

QF Generating Units not operating under the terms of an Existing QF Contract or other PURPA PPA are subject to the metering requirements of the CAISO Tariff prohibiting the net metering of Generation and Load except as specified in the QF PGA. Generating Units that are QFs and that operate under the terms of a QF PGA are eligible for net metering treatment. A QF that is not bound to the CAISO Tariff is not eligible for net metering, unless the QF is Regulatory Must-Take Generation and the net metering is specified in its Existing QF Contract or other PURPA PPA.

#### 11.2.1 Demonstration of QF Status

In order to be eligible to execute the QF PGA and receive net metering treatment, a Participating Generator must demonstrate to the CAISO that its Generating Unit has QF status pursuant to PURPA. The Participating Generator must provide the CAISO a copy of the FERC order providing Qualifying Facility status to the Net Scheduled QF or any other evidence of QF status determined to be acceptable by the CAISO.

---

### 11.2.2 Demonstration of Standby Service or Curtailment of Self-Provided Load

In order to be eligible to execute the QF PGA and receive net metering treatment, a Participating Generator must demonstrate to the CAISO that (a) the Self-provided Load of the Participating Generator that is served by the Net Scheduling QF either has contracted for and continue through the term of the QF PGA to have secured standby service from a UDC or MSS Operator under terms approved by the Local Regulatory Authority or FERC, as applicable, or (b) the Self-provided Load is curtailed concurrently with any Outage of the Generation serving that Self-provided Load in an amount sufficient to cover that Outage. The Participating Generator must provide the CAISO a copy or a summary of the primary terms of any agreement for standby service with a UDC or MSS Operator or any other evidence of the foregoing determined to be acceptable by the CAISO.

### 11.2.3 Execution of a QF PGA

The *pro forma* version of the QF PGA is set forth in Appendix B.3 of the CAISO Tariff. Once the CAISO has received the evidence required by Sections 11.2.1 and 11.2.2 or has otherwise determined that the Participating Generator has met the requirements of those provisions, the CAISO prepares a QF PGA for execution by the Generator. Once the QF PGA has become effective, the net metering treatment for the QF is implemented. If the Participating Generator executes a *pro forma* version of the QF PGA, the net metering can be implemented immediately.

## 11.3 Permitted Netting for Net Scheduled QFs

Pursuant to the QF PGA, net metering is permitted for the Demand of Self-provided Load that is (i) served by a Net Scheduled QF and (ii) is electrically located on the same side of the Point of Demarcation. The Participating Generator may satisfy the provisions of the CAISO Tariff for the installation of meters by installing at the Point of Demarcation meters for the purpose of recording the net impact of the Net Scheduled QF upon the CAISO Controlled Grid; provided that the installed meters satisfy the technical functional and performance requirements for meters set forth in the CAISO Tariff and this *BPM for Metering*.

---

## 12. Proxy Demand Resources (PDR) and Reliability Demand Response Resources (RDRR)

Welcome to the *Demand Response* section of the *BPM for Metering* featuring the *Proxy Demand Resource*, *Reliability Demand Response Resource*, and *Proxy Demand Resource-Load Shift Resource programs*. In this section you will find the following information:

- A description of PDR, PDR-LSR, and RDRR post market Meter Data development, submittal timelines, and format

Please refer to the *BPM for Demand Response* for the following information:

- An introduction to Proxy Demand Resources (PDR), Proxy Demand Resource-Load Shift Resource (PDR-LSR), and Reliability Demand Response Resources (RDRR) in addition to the description of the program
- An overview of business processes associated with both Proxy Demand Resources, Proxy Demand Resource-Load Shift Resource, and Reliability Demand Response Resources
- An introduction to the Demand Response Provider Agreement and its process
- An introduction to the Demand Response Registrations System (DRRS)
- A description of the pre-market registration process for Proxy Demand Resources, Proxy Demand Resource-Load Shift Resource, and Reliability Demand Response Resources
- A description of the monitoring metrics in place for Demand Response Resources
- A description of the requirements for Demand Response participation.
- A description of Performance Evaluation Methodology and Demand Response Energy Measurement.

## 12.1 Using the Appropriate Systems for Meter Data Management

### 12.1.1 Meter Data Submission- Effective November 1, 2018

Scheduling Coordinators are responsible for developing a baseline and calculating the performance for the demand response resources they represent. They must submit the performance as a Demand Response Energy Measurement (DREM) along with into the Market Results Interface-Settlements system (MRI-S). These submissions will be considered Settlement Quality Meter Data (SQMD). DREM represents performance of the resources in response to a schedule or dispatch and will be used for the market settlement calculation. Additionally, Proxy Demand Response Resources and Proxy Demand Resource-Load-Shift (Curtailment only) providing Ancillary Services must submit Load Meter Data into MRI-S for the interval preceding, during, and following the Trading Interval(s) in which they were awarded Ancillary Services.

SQMD submitted into MRI-S must be submitted at a 5-minute granularity. This data is subject to the settlement timelines established in association with the settlement calendar.

Additionally, for monitoring, compliance and audit purposes Scheduling Coordinators must submit the Customer Load Baseline, as applicable, and the actual underlying consumption for all intervals. This data will be submitted at an hourly granularity. The Scheduling Coordinator will submit ninety (90) days of data, working sequentially backwards from the from the Trading Day in which an event occurred.

The DRP/SC shall determine a Demand Response event interval as beginning with a first interval of non-zero Total Expected Energy (TEE) and when the TEE returns to zero. These events can be viewed in the Customer Market Results Interface (CMRI).

DREM for PDRs, PDR-LSRs, and RDRRs will only be settled in intervals where their TEE is above zero. Scheduling Coordinators may not submit DREM in Settlement Intervals where the TEE did not exceed zero. Should DREM values be submitted for Settlement Intervals with no TEE, the Settlements System will not use the data.

New MRI-S Measurement Types will be used for submittal of additional monitoring meter data to the CAISO into the MRI-S. The table in the BPM for Demand Response in Appendix B, provides a summary view of required meter data submittal measurement types, their required data granularity and summary of what each Measurement Types represents.

To ensure accuracy and compliance with the CAISO tariff, the CAISO will have the right to audit all data submittals to the MRI-s including Meter Data submitted for monitoring purposes only..

### 12.1.2 Meter Data Submittal Timelines

Meter Data submittal timelines must be followed pursuant to section 10.3.6 of the CAISO Tariff. Failure to submit pursuant to the submittal timelines may result in a Rules of Conduct violation, as outlined in section 37.5.2.

The CAISO shall calculate, account for, and settle all charges and payments for Initial Settlement Statement T+9B, using CAISO estimates for all load and generation including PDR, PDR-LSR, or RDRR. If no meter data is submitted for the Initial Settlement Statement T+9B calculation, Demand Response Energy Measurement for the PDR, PDR-LSR or RDRR will be based on their Expected Energy and dispatch of that resource as calculated in the Real-Time Market and as modified by any applicable corrections to the Dispatch Operating Point for the resource pursuant to CAISO Tariff Section 11.1.4. Scheduling Coordinators must then update these values pursuant to tariff timelines to ensure that they accurately reflect actual performance in real time. The CAISO will not perform estimations of Meter Data submitted for monitoring purposes only.

### 12.1.3 Meter Data Submission

Both PDR, PDR-LSR, and RDRR are Scheduling Coordinator Metered Entities (SCMEs). Therefore, each SC representing a PDR, PDR-LSR or RDRR must have a Meter Service Agreement for Scheduling Coordinators (MSA SC) in place that supports its ability to submit Settlement Quality Meter Data (SQMD) to the CAISO via the MRI-S.

#### 12.1.3.1 Requirements for PDR/PDR-LSR/RDRR Meter Data submissions into the MRI-S

- All data must be submitted in the format detailed on the “MRI-S Technical Interface Specifications” located on [www.aiso.com](http://www.aiso.com).

Home>Participate > Application Access > Market Results Interface – Settlements (MRI-S) > Metering > Technical documents (select the latest release)

**Attachment A**

**END USE METER STANDARDS**

---

## Attachment A: End Use Meter Standards

All metering is of a revenue class metering accuracy in accordance with the ANSI C12 standards on metering and any other requirements of the relevant UDC or Local Regulatory Authority that apply. Such requirements apply to meters, current transformers, potential transformers, and associated equipment. ANSI C12 metering standards include the following:

ANSI C12.1 – American National Standard Code For Electricity Metering

ANSI C12.6 – American National Standard For Marking And Arrangement Of Terminals For Phase-Shifting Devices Used In Metering

ANSI C12.7 – American National Standard For Watt-hour Meter Sockets

ANSI C12.8 – American National Standard For Test Blocks And Cabinets For installation Of Self-Contained A-Base Watt-hour Meters

ANSI C12.9 – American National Standard For Test Switches For Transformer-Rated Meters

ANSI C12.10 – American National Standard For Electromechanical Watt-hour Meters

ANSI C12.11 – American National Standard For Instrument Transformers For Revenue Metering, 10 kV BIL Through 350 kV BIL

ANSI C12.16 – American National Standard For Solid-State Electricity Meters

ANSI C12.18 – American National Standard For Protocol Specification For ANSI Type 2 Optical Port

ANSI C12.20 – American National Standard For Electricity Meters 0.2 and 0.5 Accuracy Class

ANSI C57.13 – IEEE Standard Requirements for Instrument Transformers



**Attachment B**

**TECHNICAL SPECIFICATIONS**

---

## Attachment B: Technical Specifications

### Section A. Meter Configuration Criteria

#### A1 Power Flow Conventions

Meters must be installed and configured in such a manner so as to define the 4 Quadrants referred to in Exhibit B-1.

#### A2 CAISO Standard Meter Memory Channel Assignments

Metering Facilities must be installed and configured in such a manner so as to comply with the following CAISO requirements:

- Channel 1 must record active power (kWh) delivered by the CAISO Controlled Grid;
- Channel 2 must record reactive power (kVARh) delivered by the CAISO Controlled Grid;
- Channel 3 must record reactive power (kVARh) received by the CAISO Controlled Grid;
- Channel 4 must record active power (kWh) received by the CAISO Controlled Grid

For metering with bi-directional power flows, CAISO reserves the right to require metering that measure and report 4 quadrant VARs. Situations like a generating plant that nets gross generator output and auxiliary loads on one meter, which could swap from a supplying to a buying mode and vice versa may require this type of metering. To properly account for such cases, six channels of data are required. This configuration is considered optional unless specified by CAISO as required. Such Metering Facilities must be installed and configured in such a manner so as to comply with the following CAISO requirements:

Channel 1 must record active power (kWh) delivered by the CAISO Controlled Grid;

Channel 2 must record quadrant 1 reactive power (kVARh) delivered by the CAISO Controlled Grid;

Channel 3 must record quadrant 3 reactive power (kVARh) received by the CAISO Controlled Grid;

Channel 4 must record active power (kWh) received by the CAISO Controlled Grid;

Channel 5 must record quadrant 2 reactive power (kVARh) delivered by the CAISO Controlled Grid;

Channel 6 must record quadrant 4 reactive power (kVARh) received by the CAISO Controlled Grid.

### A3 CAISO Standard Meter Display Modes

The following display readings must be displayed in the normal display mode to comply with CAISO requirements.

#### Normal Display Mode (Standard Configuration, Uni-directional/Bi-directional kWh and kVARh)

For standard metering applications the display items should be utilized in the sequence listed below. When metering uni-directional power flows, the quantities listed below that do not apply (i.e. for generation only applications, the delivered quantities should have zero accumulation) may be omitted. The only exception to this is where the display items correlate to the load profile channel assignments. The 4 display readings that correlate to the 4 load profile channels must also be displayed.

#### Exhibit A-1 – Normal Display Mode (Standard Configuration)

1	Device ID
2	Date/Time MM:DD:YYHH:MM:SS (Standard Time <sup>5</sup> , military format)
3	Total kWh delivered by the CAISO Controlled Grid
4	Maximum kW (5 minute or hourly demand interval) delivered by the CAISO Controlled Grid
5	Date and time of maximum kW delivered by the CAISO Controlled Grid
6	Total kVARh delivered by the CAISO Controlled Grid
7	Total kVARh received by the CAISO Controlled Grid
8	Total kWh received by the CAISO Controlled Grid
9	Maximum kW (5 minute or hourly demand interval) received by the CAISO Controlled Grid
10	Date and time of maximum kW received by the CAISO Controlled Grid

<sup>5</sup> Meter may not shift to Day-Light Savings Time

### Normal Display Mode (Optional Configuration, Bi-directional kWh and Four Quadrant kVARh)

For metering bi-directional power flows in which CAISO requires optional 4 quadrant VAR measurement, the following display items should be displayed in the sequence listed below:

#### Exhibit A-2 Normal Display Mode (Optional Configuration)

1	Device ID
2	Date/TimeMM:DD:YY:HH:MM:SS (Standard time, military format)
3	Total kWh delivered by the CAISO Controlled Grid
4	Maximum kW (5 minute or hourly demand interval) delivered by the CAISO Controlled grid
5	Date and time of maximum kW delivered by the CAISO Controlled Grid
6	Total kVARh for Quadrant 1
7	Total kVARh for Quadrant 2
8	Total kVARh for Quadrant 3
9	Total kVARh for Quadrant 4
10	Total kWh received by the CAISO Controlled Grid
11	Maximum kW (5 minute or hourly demand interval) received by the CAISO Controlled Grid
12	Date and time of maximum kW received by the CAISO Controlled Grid

### Consumption Values

The consumption values must be in XXXXX.X format and demand in XXXX.XX format. The register-scaling factor should be set such that the display does not roll over in less than 60 days.

#### A3.1 Alternate Display Mode

The values listed below should be displayed in the alternate display mode to comply with CAISO requirements:

- Instantaneous kW delivered and received by the CAISO Controlled Grid (for bi-directional power flows and/or applications where the power flow is received by the CAISO Controlled Grid)

- 
- Phase A, B and C voltage magnitude and phase angle
  - Phase A,B and C current magnitude and phase angle
  - Neutral current magnitude and phase angle (if available)

When available, the alternative display mode may also be used by CAISO Metered Entities to display other definable quantities in sequence after the values defined above.

### **A3.2 Test Mode Display**

The following values should be displayed in the test mode to comply with CAISO requirements:

- Total pulse count or energy measured for test; and
- Total consumption during test.

During the test mode the above values should be provided for each function being tested (Watts, VARs). The data displayed by the meter while in test mode must not change the normal mode display registers and should not be recorded in the load profile channels. This requirement is imposed to prevent the test data from being recorded as actual load/generation data. CAISO Metered Entities can add additional display quantities in sequence in the values defined above.

### **A4 Transformer and Line Loss Correction Factor**

CAISO Metered Entities are responsible for properly calculating and applying the Transformer and Line Loss Correction Factor to the meter to reflect point of delivery to the CAISO Controlled Grid.

### **A5 Distribution Compensation Factor (DCF)**

If applicable per BPM section 5.1.1, CAISO Metered Entities are responsible for obtaining an agreed upon distribution compensation factor from the appropriate UDC/Distribution Company/interconnection entity and applying it to the meter to reflect losses or credits attributed across a Distribution System to the point of delivery to the CAISO Controlled Grid.

---

**A6 CT/VT and Cable Loss Correction Factors**

Where the connected burden of a metering circuit exceeds the burden rating of a CT or VT or if an existing instrument transformer does not meet the minimum CAISO accuracy requirements, then one of the actions listed below must be taken:

- a. Replace the instrument transformer(s) with higher burden rated revenue class units; or
- b. Reduce the burden on the circuit to comply with the name plate of existing instrument transformer(s); or
- c. Apply correction factors to the meter to adjust the meter's registration to compensate for inaccuracies.

CAISO Metered Entity is responsible for properly calculating and applying the CT/VT and cable loss correction factors to its meters in accordance with this BPM to adjust for inaccuracies in the metering circuit.

**A7 Special Applications, Configurations and Unique Situations**

CAISO Metered Entities are responsible for providing CAISO with the necessary Meter Data and other information to enable CAISO to prepare Settlement Quality Meter Data. For instance, where there is a Generating Unit with multiple generators and auxiliary Loads, CAISO Metered Entity provides appropriate information (i.e. documentation, descriptions, one-line diagrams, etc.) to CAISO of each unit under all combinations of generation and load (e.g. where only one generator is operating but all auxiliary Loads are beings supplied).

---

**Section B. Standards for Metering Facilities**

This section provides additional details to the standards referred to in Attachment A of this BPM.

The standards referred to in Attachment A of this BPM and this section apply to CAISO Metered Entities and, where the relevant Local Regulatory Authority has not set any standards, to Scheduling Coordinator Metered Entities.

**B1 Standards for Existing Metering Facilities**

Existing metering facilities are those facilities that were fully installed as of the CAISO Operations Date. Existing Metering Facilities used by CAISO Metered Entities shall meet the following general standards:

- Revenue quality instrument transformers at the generator output level (specifically at all main generators, banks and local distribution load supplied from the generator) must have an accuracy of 0.3% or better,
- Generator auxiliary load metering must have an overall accuracy of 3% or better
- Revenue quality instrument transformers at transmission metering points must have an accuracy of plus or minus 0.3% or better.

Note: Any modifications to Existing Metering Facilities are required to meet the standards outlined in Section B2.

**B2 General Standards for CAISO Meters**

New meters are those meters that are installed after the CAISO Operations Date. Meters must meet the following general standards:

- They must be revenue quality with a 0.2 Accuracy Class
- They must be remotely accessible, reliable, 60 Hz, three phase, bi-directional, programmable and multifunction electronic meters certified for correct operation at the service voltage
- They must be capable of measuring kWh and kVARh and providing calculated three phase values for kVAh, kVA
- They must have a demand function including cumulative, rolling, block interval demand calculation and maximum demand peaks

- 
- There must be battery backup for maintaining RAM and a real-time clock during outages of up to thirty days
  - There must be AC potential indicators on each of the three phases
  - They must be capable of being powered either internally from the bus or externally from an AC source. It is recommended that all CAISO meters have an auxiliary source or emergency backup source of power.
  - They must be capable of providing RMDAPS (MV-90 addressable metering protocol)
  - They must be capable of 60 days storage of kWh, KVARh, and/or 4 quadrant interval data

If there is any inconsistency between these general standards and the detailed standards referred to in paragraphs B3 and B4 of this Part, the detailed standards prevail.

### **B3 Detailed Standards for New Meters**

Exhibit B-1 to this Attachment provides the detailed specifications with which new meters must comply.

### **B4 Detailed Standards for Coupling Capacitive Voltage Transformer (CCVT), Optical Sensor and New Oil Filled, Wound Instrument Transformers**

Exhibit B-2 to this Attachment provides the detailed specifications with which new oil filled, wound instrument transformers must comply.



---

**Exhibit B-1 to Section B**

CAISO ENGINEERING SPECIFICATION  
FOR POLYPHASE SOLID-STATE  
ELECTRICITY REVENUE QUALITY METERS

---

**Attachment B: Section B Exhibit B-1: Table of Contents**

- B1: 1 GENERAL INFORMATION
- B1: 2 SCOPE
- B1: 3 METERING FUNCTIONS
- B1: 4 DISPLAY REQUIREMENTS
- B1: 5 METER DIAGNOSTICS
- B1: 6 PROGRAMMING AND SOFTWARE
- B1: 7 COMMUNICATION
- B1: 8 OPTIONAL METER FUNCTIONS
- B1: 9 ACCURACY
- B1: 10 ELECTRICAL REQUIREMENTS
- B1: 11 MECHANICAL REQUIREMENTS
- B1: 12 SECURITY
- B1: 13 METER APPROVAL TESTING
- B1: 14 SAFETY
- B1: 15 DATA SECURITY AND PERFORMANCE
- B1: 16 DOCUMENTATION
- B1: 17 APPLICABLE STANDARDS
- B1: 18 DEFINITIONS

---

**B-1: 1 GENERAL INFORMATION**

This Exhibit applies to all solid-state polyphase electricity meters used in revenue metering applications on the CAISO Controlled Grid (meters) and provides the minimum functional and performance requirements for meters. All requirements in this Exhibit are intended to ensure the expected life cycles, security, accuracy, reliability and minimum maintenance requirement of meters. Some requirements, however, are specified to maintain the compatibility and interchangeability of the meter.

**B-1: 2 APPLICABILITY**

Meters approved under this Exhibit may not be required to have all of the specified features. Meters must meet the specified minimum requirements and the requirements of Section B1: 13 (Meter Approval Testing) of this Exhibit.

**B-1: 3 METERING FUNCTIONS****B-1: 3.1 Measured Quantities**

As used in this Exhibit, the term “delivered” applies to Energy flowing out of the CAISO Controlled Grid and the term “received” applies to Energy flowing into the CAISO Controlled Grid.

**B-1: 3.1.1 Consumption**

The following consumption quantities are required for all meters approved for use on the CAISO Controlled Grid:

- (a) Kilowatt-hours—delivered;
- (b) Kilowatt-hours—received;
- (c) Kilovar-hours—delivered, received, for each quadrant;
- (d) Kilovoltamp-hours—delivered, received, for each quadrant;
- (e) Ampere-squared-hours; and
- (f) Volts-squared-hours.

**B-1: 3.1.2 Demand**

The following demand quantities are required for all meters approved for use on the CAISO Controlled Grid:

- (a) Kilowatts—delivered;
- (b) Kilowatts—received;
- (c) Kilovars—delivered, received, for any quadrant; and

(d) Kilovoltamps—delivered, received, for any quadrant.

### **B-1: 3.1.3 Power Factors**

The CAISO may specify average power factors for the previous demand sub-interval in any quadrant or any combination of two quadrants.

### **B-1: 3.1.4 Reverse Consumption/Demand**

The meter must be programmable to take one of the following actions for reverse consumption and demand quantities:

- (a) Ignore the reverse quantities; and
- (b) Add the reverse quantities to the appropriate consumption and demand quantities.

### **B-1: 3.2 Basic Default Metering Function**

When power is applied to the meter, it must immediately begin recording bi-directional total kilowatt-hours. Received power flow must carry a negative sign. This function must be performed regardless of whether the meter is programmed or not and cannot require a battery. An unprogrammed meter must indicate that it is unprogrammed. CAISO may request a meter to be programmed with a specific program.

### **B-1: 3.3 Demand Metering Function**

Meters must have the following demand metering functions:

- (a) As a minimum, the meter must be programmable for fixed and/or rolling interval demand calculations on bi-directional kilowatts and kilovars;
- (b) The meter is programmable for one minute delivered kilowatt demand (as an approximation of “instantaneous” kilowatts delivered) in addition to the rolling interval demand calculation. The one minute demand is not required to be synchronous with the other demand quantities;
- (c) The meter is programmable for rolling interval demand calculations for any optional demand quantity (see Section B-1: 3.1.2) that CAISO specifies.
- (d) Demand intervals are programmable for durations of 5, 10, 15, 30 or 60 minutes;
- (e) Demand functions are capable of temporary suspension for a programmable time interval after power is restored following a power outage. The length of time is programmable from zero to 60 minutes in one-minute intervals;
- (f) After a demand reset, further manual demand resets are prevented with a programmable lockout time. A demand reset from a meter programmer connected to the optical port is not subject to this delay and can be initiated as frequently as required; and

- (g) If the meter has been programmed for Time-of-Use (TOU) functions, the time at which maximum demand occurred is recorded at the end of that demand interval.

#### **B-1: 3.4 Load Profile Function**

Meters have the following load profile functions:

- (a) CAISO may specify that the meter provide load profile recording of interval data for 1 to 4 channels of consumption quantities;
- (b) Date and time is stored with the load recording of interval data;
- (c) Load recording of interval data uses a “wraparound” memory that stores new interval data by writing over the oldest interval data;
- (d) The load recording of interval data function is capable of storing and communicating a minimum of 60 days of 4 or 6 channel, 5 minute interval data, in addition to allowances for event recording (power outages, resets, time sets, etc.);
- (e) The load recording of interval data function has the capacity to count and store at least 4,095 counts in a 5 minute period of time; and
- (f) Load recording of interval data continues while the meter is communicating with a meter programmer connected to the optical port.

#### **B-1: 3.5 Function during Power Disturbances**

Meters have the following functions during power disturbances:

- (a) During powerline disturbances such as brownout or outage conditions the meter maintains all meter data as well as time keeping functions. Display and communication functions are not required during these conditions;
- (b) The meter can withstand the following outages during a continuous ten year or longer service without the need to maintain its auxiliary power system, including replacing the battery:
  - i. 20 short outages per year of less than 30 seconds per outage; and
  - ii. 30 days of continuous/cumulative outage;
- (c) During a power outage, critical program and billing data is written to non-volatile memory. When power is restored, data is returned to active memory and data collection resumed;
- (d) Following a power outage, register “catch-up” time is a maximum of 30 seconds. During the “catch-up” time the meter still calculates consumption and demand quantities. Optional inputs and outputs also function during this time;

- (e) During power outages, time is maintained with a cumulative error of no more than 2 minutes per week (0.02%);
- (f) The meter records the date and time of any power outage; and
- (g) Meters may also record the duration of any power outage.

### **B-1: 3.6 Meter Test Mode Function**

Meters have the following meter test mode functions:

- (a) The meter has the capability of a Test Mode function that suspends normal metering operation during testing so that additional consumption and demand from the tests are not added to the meter's totals;
- (b) The Test Mode function is activated by a permanently mounted physical device that requires removal of the meter cover to access or by a meter programmer connected to the optical port;
- (c) Activation of the Test Mode causes all present critical billing data to be stored in non-volatile memory and restored at the time of exit from the Test Mode;
- (d) Upon activation of the Test Mode, register displays accumulate beginning from zero;
- (e) Actuation of the billing period reset device during Test Mode resets the test mode registers;
- (f) After a programmable time-out period, the meter automatically exits from Test Mode and returns to normal metering; and
- (g) The default Test Mode registers for an unprogrammed meter include as a minimum:
  - i. Time remaining in the test interval;
  - ii. Maximum kilowatt block demand; and
  - iii. Total kilowatt-hours.

### **B-1: 4 DISPLAY REQUIREMENTS**

#### **B-1: 4.1 LCD Display**

The meter has an electronic display for displaying the consumption and demand quantities. A liquid crystal display (LCD) is preferred.

#### **B-1: 4.2 Viewing Characteristics**

Digits for displaying the consumption and demand quantities are a minimum of 7/16" in height and be legible in normal daylight conditions from a distance of six feet by an

observer. The viewing angle is a minimum of fifteen degrees from the front meter face line of sight.

### **B-1: 4.3 Display Components**

The display provides the following:

- (a) Six digits for display of the consumption and demand quantities and constants with decimal points for the three least significant digits;
- (b) Three digits for numeric display identifiers (ID numbers);
- (c) Alternate and Test Mode indication;
- (d) Potential indication for each phase;
- (e) End of interval indicator;
- (f) Visual representation of the magnitude and direction of active energy flow;
- (g) Visual representation of the magnitude and direction of reactive energy flow if the meter is capable of measuring kilovars; and
- (h) Annunciators for most consumption and demand quantities.

### **B-1: 4.4 Digits**

Consumption and demand quantities are programmable for display with leading zeroes in four, five or six digits with a decimal point at any of the least significant three digits.

### **B-1: 4.5 Time Format**

Time is displayed in the 24 hour military format.

### **B-1: 4.6 Date Format**

Date is displayed programmable in either Day/Month/Year or Month/Day/Year format.

### **B-1: 4.7 Operating Modes**

The display has at least three of the following operating modes:

- (a) Normal Mode – in this mode, the display scrolls automatically through the programmed displays for normal meter reading;
- (b) Alternate Mode – in this mode, the display scrolls automatically, scroll manually or freeze for up to one minute for alternate programmed displays;
- (c) Test Mode – in this mode, the display scrolls automatically, scroll manually or freeze for up to one minute for test quantity displays; and

- (d) Segment Check – in this mode, all segments or displays are activated to verify display integrity.

Display ID numbers and display sequence are independently programmable for each of the modes referred to above. Display times are programmable.

#### **B-1: 4.8 Normal Mode**

Upon power-up, the meter display operates in the Normal Mode. The meter display operates in Normal Mode until power is disconnected or until either the Alternate Mode or the Test Mode is activated.

#### **B-1: 4.9 Alternate Mode**

The Alternate Mode is initiated with a display control device that does not require meter cover removal or with a meter programmer connected to the optical port.

Display Items

As a minimum, the meter provides the display quantities and items for each of the modes referred to in Section B-1: 4.7 as detailed in Attachment 2.

#### **B-1: 4.10 Constants and Correction Factors.**

The meter has programmable multi-variable polynomial function multipliers and/or summers to account for instrument transformer ratios, instrument transformer correction factors, the meter constant, line losses and power transformer loss correction.

#### **B-1: 4.11 Identifiers**

The meter has programmable identifiers for the meter ID, the person who programmed the meter (programmer ID) and the current program ID. The meter ID shall be capable of eight numeric characters.

### **B-1: 5 METER DIAGNOSTICS**

#### **B-1: 5.1 Self-test**

The meter register is capable of performing a self-test of the register software. As a minimum, the self-test is performed at the following times:

- (a) Whenever communications are established to the register;
- (b) After a power-up; and
- (c) Once per day.



**B-1: 5.2 Diagnostic Checks**

As a minimum, the following diagnostic checks are performed during a self-test:

- (a) Check the backup battery capacity;
- (b) Verify the program integrity; and
- (c) Verify the memory integrity.

**B-1: 5.3 Data Overrun**

The register is capable of detecting that the maximum amount of data has been exceeded during a demand interval.

**B-1: 5.4 Error and Warning Displays**

Meters are capable of the following displays:

- (a) Any detected error or warning is stored in memory and an error or warning code displayed on the display;
- (b) Error code displays freeze the display; and
- (c) Warning code displays are programmable to one of the following choices:
  - i. Freeze the warning code on the display; or
  - ii. Warning code display at the end of the Normal, Alternate or Test Modes display sequences.

**B-1: 5.5 Error Reset**

Error or warning conditions are only reset upon an explicit command invoked via the meter programmer or upon some other explicit action by CAISO.

**B-1: 6 PROGRAMMING AND SOFTWARE**

The programming software is tested at CAISO and approved by the CAISO Meter Engineering.

**B-1: 6.1 Optical Communications Interface.**

The meter is capable of communicating with a personal computer through the optical port at a minimum.

---

**B-1: 6.2 Meter Programmers**

The CAISO and CAISO Authorized Inspectors are suggested to use Windows based laptops (PC). Field communications with the meter normally is through the optical port, as an option; Ethernet cable, Rs232-Rs 485, or phone modem can be used.

**B-1: 6.3 Meter Program**

The CAISO meters through the meter manufacturer ensure its supplier provides a meter program software package for use by the CAISO Meter Engineers. The meter program in conjunction with a laptop computer must be capable of loading all meter operating parameters as well as setting time and passwords into the meter.

**B-1: 6.4 Field Program Functions**

The Field Program as a minimum provides the following functions:

- (a) Set date, time and passwords on the meter;
- (b) Preset the meter consumption registers;
- (c) Send and receive configurations to and from the meter;
- (d) Compare configuration files from the meter with desired files and report discrepancies;
- (e) Read meter billing data and load profile data;
- (f) Generate Meter Data and diagnostic reports for printing;
- (g) Read, display and modify the present settings of field configurable items;
- (h) Execute a billing period reset;
- (i) Reset all consumption and demand quantities; and

**B-1: 6.5 Operating System**

All software programs shall utilize industry standard operating system software. The operating system software must be currently supported by the software vendor that produces and maintains it. The CAISO requires these programs to maintain operating system compatibility with the CAISO corporate computing standards. The Rate Development, Field, and Field Disk Serialization Programs must be capable of running under CAISO standardized operating systems without any loss of function.

**B-1: 6.6 Communication Protocol**

The protocol used for communication with the meter through optical port, Ethernet, RS-232, RS485, or the phone modem.

**B-1: 6.7 Optical Probe**

The meter program supports use of a compatible optical probe connected to the standard PC.

**B-1: 7 COMMUNICATION****B-1: 7.1 Optical Port**

The primary communication port to the meter for reading and programming of the internal data is an optically isolated communication port per ANSI C12.13, Type 2 or other serial port.

**B-1: 7.2 Baud Rate**

The optical port communicates at a minimum of 9600 baud.

**B-1: 7.3 Optical Port Location**

The optical port is located in the front of the meter and is accessible without removing the meter's cover. The optical port must be functional with the meter cover removed.

**B-1: 7.4 Optical Port Cable**

There is to be no cable connection between the optical port on the meter cover and the register.

**B-1: 7.5 RS232 or RS 485 or RSXXX.**

One RSXXX port is provided at the meter for bi-directional communications (with security provisions included) to computers and/or data acquisition devices. The meter must have the capability for being polled every 5 minutes for data by RMDAPS. An optional RSXXX port or ports with read-only access can be provided for others desiring the data. All RSXXX ports are optically isolated.

The meter supports and is implementable with CAISO secure communication system chains, including Meter RSXXX port through CAISO approved communication network to RMDAPS.

**B-1: 8 OPTIONAL METER FUNCTIONS****B-1: 8.1 Internal Modem**

CAISO may specify an internal modem having telephone communications at auto baud rates of up to 115000 baud. The modem includes automatic baud select, configurable answer time window and configurable answer counter ring. The ring detect circuitry is affected by spurious voltage rises in the telephone line.

---

**B-1: 9 ACCURACY****B-1: 9.1 ANSI C12.10**

The meter meets or exceeds the accuracy specifications contained in ANSI C12.10 over its entire service life without the need for adjustment.

**B-1: 9.2 Factory Calibration**

The meter is calibrated to provide the following level of accuracy:

- (a)  $\pm 0.2\%$  at full load at power factor of 100%;
- (b)  $\pm 0.25\%$  at full load at power factor of 50% lag;
- (c)  $\pm 0.25\%$  at full load power factor at 50% lead; and
- (d)  $\pm 0.25\%$  at light load at power factor of 100%.

**B-1: 9.3 Test Equipment**

Meter accuracy and calibration tests, both shop and field, require only standard test equipment that have accuracy of at least plus or minus 0.05% or better. The meter standard is a very accurate energy meter of substantially greater accuracy than the revenue billing meter being tested, or five times greater in accuracy. All the meters used on the CAISO system are required to have accuracy of at least plus or minus 0.25%. No special laboratory-type test equipment or test procedures are required to assure accuracy of the meter.

**B-1: 9.4 Creep**

The meter may not creep. No data registration can occur for any consumption or demand while the current circuit is open.

**B-1: 9.5 Starting Current**

The meter starts to calculate consumption and demand quantities when the per-phase current reaches 5 milliamps.

**B-1: 9.6 Start-up Delay**

The meter starts to calculate consumption and demand quantities less than 3 seconds after power application.

**B-1: 9.7 Data Output**

Data output has the same accuracy as the meter displays.

---

**B-1: 10 ELECTRICAL REQUIREMENTS****B-1: 10.1 Meter Forms, Voltage Ratings and Classes**

The following forms, voltage ratings and classes of meters are approved for installation on the CAISO Controlled Grid:

- (a) A – Base Type, FORMS 5A and 9A, 69 to 277 Volts, Class 2, 10 and 20;
- (b) Socket – Type, FORMS 5S and 9S, 69 to 277 Volts, Class 2, 10 and 20;
- (c) Switchboard – Type, 2 Element and 3 Element, 69 to 277 Volts, Class 2, 10 & 20;
- (d) Rack mounted meter assemblies – 2 element and 3 element, Class 2, 10 & 20.

**B-1: 10.2 Circuit Boards**

All circuit boards in the meter are designed to meet CAISO's environmental and electrical testing requirements and the service life and performance expectations detailed in this Exhibit.

**B-1: 10.3 LCD Display Connectors**

Gold pins encased in an elastomer or carbonized contacts, or some other better construction, are used to connect the LCD display to the register circuit board.

**B-1: 10.4 Metering Application**

The meter is used to meter electrical service on a continuous duty.

**B-1: 10.5 Connections**

The meter's internal electrical connections are in accordance with ANSI C12.10.

**B-1: 10.6 Meter Register Power Supply**

The meter register is powered from the line side of the meter and has provision for external backup power. Neither the normal power supply nor the backup power supply (when so equipped) are fused.

**B-1: 10.7 Clock**

Clocks meet the following requirements:

- (a) The clock internal to the meter must be accurate within 2 minutes per week (0.02%) when not synchronized to the CAISO Controlled Grid operation line frequency and must be resettable through the CAISO communications interface. CAISO transmits a periodic master synchronizing signal to the meter;

- 
- (b) The internal clock must have two modes of operation as follows:
- i. The clock must synchronize with the CAISO Controlled Grid operation line frequency until an outage occurs. During the outage, the clock then synchronizes with its own internal crystal. When power returns, the clock resynchronizes to the CAISO; and
  - ii. The clock must always synchronize with its own internal crystal, as a default;
- (c) The choice of clock mode is programmable.

**B-1: 10.8 Batteries**

Batteries meet the following requirements:

- (a) When the meter design requires a battery as auxiliary power supply, the requirements of Section B-1: 3.5 apply;
- (b) The battery is secured with a holder securely attached to the meter. The battery holder and electrical connections are designed to prevent the battery from being installed with reversed polarity;
- (c) Replaceable batteries are easily accessible by removing the meter cover. Battery replacement while the meter is in service may not interfere with any of the specified functions. When using short life batteries, external placement of batteries is recommended due to their frequent replacement requirement.
- (d) No fuse external to the battery may be installed in the battery circuit;
- (e) The meter battery provides a minimum carryover capability at 23° C for the functions listed in Section B-1: 3.5 and have a 15 year shelf life; and
- (f) The following information is clearly identified on the battery:
  - i. Manufacturer;
  - ii. Date of manufacture, including year and month (i.e. 9601) or year and week (i.e. 9644);
  - iii. Polarity;
  - iv. Voltage rating; and
  - v. Type.

**B-1: 10.9 Electromagnetic Compatibility**

The meter is designed in such a way that conducted or radiated electromagnetic disturbances as well as electrostatic discharges do not damage nor substantially influence the meter.

**B-1: 10.10 Radio Interference Suppression**

The meter may:

- (a) Not generate conducted or radiated radio frequency noise which could interfere with other equipment; and
- (b) Meet FCC Part 15 Class B computing device radio frequency interference standards.

**B-1: 11 Mechanical Requirements****B-1: 11.1 GENERAL**

The meter may not pose any danger when operating under rated conditions in its normal working position. Particular attention should be paid to the following:

- (a) Personnel protection against electric shock;
- (b) Personnel protection against effects of excessive temperature;
- (c) Protection against the spread of fire; and
- (d) Protection against penetration of solid objects, dust or water.

**B-1: 11.2 Corrosion Protection**

All parts of the meter must be effectively protected against corrosion under normal operating conditions. Protective coatings may not be damaged by ordinary handling nor damaged due to exposure to air. The meter is capable of operating in atmospheres of up to (and including) 95% relative humidity condensing.

**B-1: 11.3 Solar Radiation**

The functions of the meter are not impaired, the appearance of the meter may not be altered and the legibility of the meter nameplate and other labels may not be reduced due to exposure to solar radiation throughout the service life of the meter.

**B-1: 11.4 Corrosive Atmospheres**

CAISO may specify additional requirements for meters used in corrosive atmospheres.

**B-1: 11.5 Meter Package**

The meter package meets the following requirements:

- (a) The socket meter's dimensions are in accordance with ANSI C12.10;
- (b) The socket meter is designed for mounting outdoors in a standard meter socket;
- (c) Meters have a twist-on self-locking cover in accordance with ANSI C12.10 requirements. The meter cover:
  - i. Not contain a metal or conducting locking ring;
  - ii. Be resistant to ultraviolet radiation;
  - iii. Be sealed in such a way that the internal parts of the meter are accessible only after breaking the seal(s);
  - iv. For any non-permanent cover deformation, not prevent the satisfactory operation of the meter;
  - v. For the "sprue" hole (mold fill hole), not affect the ability to read the meter; and
  - vi. Have an optical port per ANSI C12.13, Type 2.
- (d) The method of securing the socket meter to the meter socket is with either a sealing ring or a high security sealing device;
- (e) The billing period demand reset device accommodates a standard electric meter seal and remains in place with friction if not sealed; and
- (f) Filtered ventilation is provided in the base of the meter to prevent condensation inside the meter.

**B-1: 11.6 Nameplate**

The meter nameplate will:

- (a) Comply with the minimum information requirements of ANSI C12.10;
- (b) Includes the meter's serial number and the date of manufacture. The manufacturing date shall include the year and month (i.e. 9601) or the year and week (i.e. 9644);
- (c) Has the following attributes:
  - i. Is mounted on the front of the meter;
  - ii. Is not attached to the removable meter cover;



- iii. Is readable when the meter is installed in the meter socket or panel; and
- iv. Does will not impair access for accuracy adjustment or field replacement of components (such as the battery).

(d) Includes ANSI standard bar coding; and

(e) Includes an easily erasable strip with minimum dimensions of 3/8 inch by 1½ inches for penciling in items such as meter multiplier or the meter tester's initials.

## **B-1: 12 SECURITY**

### **B-1: 12.1 Billing Period Reset**

Operation of the billing period demand reset mechanism requires breaking of a mechanical sealing device. Use of common utility-type sealing devices are accommodated.

### **B-1: 12.2 Meter Password**

The meter is programmable by the meter programmer with up to four unique passwords to prevent unauthorized tampering by use of the optical port or the optional modem. Passwords must be a minimum of four (4) alpha/numeric characters. Access rights and capabilities are individually programmable for each password. Passwords can also be changed via MV-90 translation module.

### **B-1: 12.3 Test Mode**

Removal of the meter cover or a software command using a password is required to activate the Test Mode.

### **B-1: 12.4 Program Security**

At least four levels of security are available for the meter program. These levels include:

- (a) Read Register— the user can only read billing and load profile data;
- (b) Read Register— the user can only read billing and load profile data, and perform a billing period reset;
- (c) Read/Modify Register— the user can perform functions listed in 12.4(a) and 12.4(b), plus download meter configuration files and operate other features of the meter program; and
- (d) Read/Modify/Program Register— the user can perform functions listed in 12.4(a), 12.4(b) and 12.4(c), plus develop meter configuration files and operate additional features of the meter program.

---

**B-1: 12.5 Revenue Protection**

Meters that help prevent Energy diversion are preferred.

**B-1: 13 METER APPROVAL TESTING****B-1: 13.1 General Requirement**

This Section outlines the testing required by CAISO to assure the quality of meters, CAISO does not approve meters that have not undergone the testing referred to in this Section.

*CAISO Testing using NIST Traceable Laboratory*

In addition to the required manufacturer testing specified in this Section, CAISO reserves the right to require a NIST traceable laboratory test data resulting from the performance of tests as outlined in this Section.

In addition to the applicable testing requirements of the ANSI C12 standards, the qualification tests specified in this Section are conducted to confirm correct operation of the meter. The qualification testing is required for new meter designs and for meter product changes.

The NIST traceable laboratory ensures that it provides a certified test report documenting the tests and their results. The test report is signed by the NIST traceable laboratory and includes all charts, graphs and data recorded during testing.

**B-1: 13.2 Meter Failure Definition**

A meter is designated as failed if any of the following events occur:

- (a) Failure of the meter to perform all of the specified functions;
- (b) Failure of the meter to meet the technical performance specifications included in this Exhibit;
- (c) Signs of physical damage or performance degradation as a result of a test procedure, including effects which could shorten the service life of the meter;
- (d) The occurrence of an unexpected change of state, loss of data or other unacceptable mode of operation for the meter as a consequence of a test procedure; and
- (e) Failures are classified as a hardware, firmware or software failure or a combination according to the following definitions:
  - i. Firmware failures are errors made during the fabrication of programmable read only memory (PROM) chips such that the required program or instruction set that the microprocessor is to perform is incorrect;

- ii. Hardware failures are failures that are physical in nature and directly traceable to the component level. Visual observances such as discoloration, cracking, hardening of cables, poor solder joints, etc. are also included. Failures of DIP switches, jumpers, and links are also included; and
- iii. Software failures are failures such as the loss or unintended change of data, the inability to program the meter, the loss of the meter program or the erroneous output or display of false information.

**B-1: 13.3 Meter Design Rejection Criteria**

A meter design is rejected if any of the following events occur:

- (a) The failure of one meter during one test procedure and the failure of a second meter during another test procedure; and
- (b) The failure of two or more meters during the same test procedure.

**B-1: 13.4 Test Setup**

- (a) The meter is connected to its normal operating supply voltage with a fully charged Power Failure Backup System. The meter is energized throughout the duration of the test procedures, unless otherwise stated;
- (b) Before testing commences, the meter is energized for a minimum of two hours at room temperature;
- (c) All tests are conducted at room temperature unless otherwise specified; and
- (d) The meter is loaded to the nameplate test amperes at 100% power factor for all tests unless otherwise indicated.

**B-1: 13.5 Functional Test (No Load Test)**

This test confirms the operation of the meter functions in accordance with this Exhibit:

- (a) The meter is energized with no load;
- (b) The meter is programmed with CAISO supplied parameters using a meter programmer;
- (c) Operation of the specified functions are verified over 24 hours by observing the meter display and by interrogating the contents of meter registers via a meter programmer; and
- (d) To pass this test, the meter operates as specified with no observed anomalies.

**B-1: 13.6 Accuracy Test**

This test confirms the accuracy of the meter:

(a) The accuracy of the meter is tested for all combinations of the following conditions:

- i. at ambient temperature, 85°C and -20°C;
- ii. at power factors of 100%, 50% lag and 50% lead; and
- iii. at 0% to 120% of class current;

(b) Accuracy curves are provided for all combinations of the conditions; and

(c) To pass this test, the meter has the indicated accuracy at ambient temperature for the following load conditions:

- i.  $\pm 0.2\%$  at Full load at power factor of 100%;
- ii.  $\pm 0.25\%$  at Full load at power factor of 50% lag;
- iii.  $\pm 0.25\%$  at Full load at power factor of 50% lead; and
- iv.  $\pm 0.25\%$  at Light load at power factor of 100%.

**B-1: 13.7 Line Voltage Variation Test**

This test confirms the meter's correct operation under varying line voltage conditions:

(a) The meter is tested at line voltages ranging from 80% to 120% of rated voltage under the following load conditions:

- i. Full load at power factor of 100%; and
- ii. Light load at power factor of 100%; and

(b) To pass this test the meter meets the following criteria:

- i. Operate as specified;
- ii. Have an accuracy as specified in Section 13.6(c) throughout the 80% to 120% voltage range; and
- iii. The power failure backup system shall not take over when the voltage is above 80% and below 120% of rated.

**B-1: 13.8 Momentary Power Loss**

This test confirms the meter's ability to withstand momentary power outages:

- 
- (a) The test is performed by opening the AC power supply input for the specified duration;
  - (b) Twelve tests are conducted using the following sequence:
    - i. Energize the meter;
    - ii. Simulate a power loss of 0.5 cycles at 60 hertz;
    - iii. Lengthen each succeeding simulated power outage by 0.5 cycles until a duration of 6.0 cycles is attained; and
    - iv. The start of each successive test shall be delayed by one minute; and
  - (c) To pass this test, the meter operates as specified with no observed anomalies.

**B-1: 13.9 Power Failure Backup System Test**

This test confirms the carryover capability of the power failure backup system:

- (a) This test is conducted at ambient temperature using a new or fully charged battery;
- (b) The test is conducted using the following sequence:
  - i. Energize the meter at full load for two hours;
  - ii. De-energize the meter for 24 hours; and
  - iii. Verify the integrity of programs and metering data stored in memory; and
- (c) To pass this test, the meter operates as specified with no observed anomalies.

**B-1: 13.10 Brownout and Extended Low Voltage Test**

This test confirms the meter's ability to withstand brownouts and extended low voltage conditions:

- (a) The test is conducted using the following sequence:
  - i. Energize the meter and verify correct operation;
  - ii. Slowly lower the line voltage to 80% of nominal;
  - iii. Operate the meter at this voltage level for 6 hours;
  - iv. Verify correct meter operation;
  - v. Lower the line voltage to 50% of nominal;
  - vi. Operate the meter at this voltage level for 6 hours; and

- vii. Verify correct operation of the meter and the power failure backup system; and

(b) To pass this test, the meter operates as specified with no observed anomalies.

#### **B-1: 13.11 Effect of Power Failure Backup System Voltage Variation on Clock Accuracy**

This test confirms the effects of the battery voltage on the meter's clock accuracy:

- (a) The meter is tested with the battery disconnected and an auxiliary DC power supply connected to the battery carryover circuit. The DC power may be varied from 95% to 105% of nominal battery voltage; and
- (b) To pass this test, the accuracy of the meter clock must be within 0.02% (2 minutes per week) with a voltage variation of 5 % of nominal battery voltage at ambient temperature.

#### **B-1: 13.12 Effect of Temperature Variation on Clock Accuracy**

This test confirms the effects of temperature on the meter clock accuracy:

- (a) This test is conducted with the register in the battery carryover mode;
- (b) The temperature may be varied from 85°C to -20°C;
- (c) The meter is exposed to each temperature for a least 2 hours prior to testing; and
- (d) To pass this test, the accuracy of the meter clock must be within 0.02% (2 minutes per week) at ambient temperature, 85°C, and -20°C.

#### **B-1: 13.13 Temperature Cycle Test**

This test confirms the effects of an accelerated temperature cycle on the meter:

- (a) The meter cover must be removed during this test;
- (b) The test duration is 7 days (168 hours);
- (c) The temperature is cycled once per 24 hour period;
- (d) Temperature is varied linearly during the tests at a constant rate not to exceed 20°C per hour;
- (e) Humidity is not controlled during the test;
- (f) The meter must be de-energized during the fourth and fifth cycles of the test to verify the performance of the power failure backup system during temperature fluctuations;
- (g) Each 24 hour cycle consists of the following:

- i. Begin test at +20°C (or room temperature if within 5°C);
- ii. Ramp up to +85°C in approximately 3.25 hours;
- iii. Hold at +85°C for approximately 10.75 hours;
- iv. Ramp down to -20 C in approximately 5.25 hours;
- v. Hold at -20°C for approximately 2.75 hours;
- vi. Ramp up to +20°C in approximately 2.00 hours; and
- vii. Begin next 24 hour cycle or end test after 7 cycles; and

(h) To pass this test, the meter operates as specified with no observed anomalies for the entire test period.

#### **B-1: 13.14 Humidity Cycle Test**

This test confirms the effects of an accelerated humidity cycle on the meter:

- (a) The meter cover is removed during this test, or a meter cover with a large hole at the bottom may be substituted;
- (b) The duration of the test is 24 hours;
- (c) Condensation may form on the meter during the test;
- (d) Temperature may be varied linearly during the tests at a constant rate not to exceed 20°C per hour;
- (e) Humidity may not be controlled during temperature changes;
- (f) The test consists of the following sequence:
  - i. Begin at +20°C (or room temperature if within 5°C);
  - ii. Ramp up to +85°C in approximately 3.25 hours;
  - iii. Ramp up to a relative humidity of 95% in approximately 1 hour;
  - iv. Hold at +85°C at a relative humidity of 95% ±1% for approximately 14.5 hours;
  - v. Ramp down to +20°C in approximately 3.25 hours;
  - vi. Concurrently with Section 13.14(f)v. ramp down to a relative humidity of 75% in approximately 15 minutes;

- vii. Hold relative humidity at 75% for remainder of temperature ramp down;  
and
  - viii. Hold at 20°C at a relative humidity of 75%  $\pm$ 1% for approximately 2 hours;  
and
- (g) To pass this test, the meter operates as specified with no observed anomalies for the entire test period.

**B-1: 13.15 Insulation Withstand Test**

This test confirms the insulation levels of the meter:

- (a) The meter may not be energized for this test;
- (b) The insulation between power line voltage and current carrying parts and any other metallic or conductive part may be tested by applying 2500 volts rms, 60 Hz for a period of one minute; and
- (c) To pass this test the leakage current may not exceed one milliamp for the duration of the test and the meter shall operate after completion of the test.

**B-1: 13.16 Standard Waveform Surge Withstand Test**

This test confirms the ability of the meter to withstand voltage transients:

- (a) The meter is energized but not loaded during the test;
- (b) The test is conducted in accordance with the latest recognized industry standards;
- (c) The oscillatory test wave is applied at a repetition rate of 100 tests per second for 25 seconds;
- (d) The test signal is applied in both the common and transverse modes;
- (e) The test is conducted on all voltage, current, and optional equipment inputs and outputs;
- (f) This test is performed two times with a maximum period of 1 minute between tests;  
and
- (g) To pass this test, the meter operates as specified with no observed anomalies;

**B-1: 13.17 Fast Transient Waveform Surge Withstand Test**

This test confirms the ability of the meter to withstand fast voltage transients:

- (a) The meter is energized but not loaded during the test;



- (b) This test is conducted in accordance with the latest industry recognized standard;
- (c) The unipolar test wave is applied at a repetition rate of 100 tests per second for 25 seconds;
- (d) The test signal is applied in both the common and transverse modes;
- (e) The test is conducted on all voltage, current, and optional equipment inputs and outputs;
- (f) This test is performed two times with a maximum period of 1 minute between tests; and
- (g) To pass this test, the meter operates as specified with no observed anomalies.

**B-1: 13.18 Powerline Surge Voltage and Current Test**

This test confirms the ability of the meter to withstand power line voltage and current surges:

- (a) The meter is energized but not loaded during the test;
- (b) The test is performed using the unipolar and the ring waveform specified in the latest industry recognized standard;
- (c) The test surges are applied to the power line in both the normal and common modes;
- (d) The following number of surges is applied at the indicated voltages:
  - i. 12 surges at 6 kV;
  - ii. 12 surges at 5 kV; and
  - iii. 36 surges at 4 kV.
- (e) The first test surges at 5 kV and 6 kV are injected at 0 degrees on the positive half-cycle of the waveform. Each successive test surge is shifted 15 degrees on the positive half-cycle of the waveform up to 180 degrees;
- (f) The first test surge at 4 kV is injected at 0 degrees on the positive half-cycle of the waveform. Each successive test surge is shifted 15 degrees on both the positive and negative half-cycles of the waveform up to 360 degrees;
- (g) Sufficient time must be allowed in between test surges for the electronic components to return to normal operating temperatures. A minimum of 5 minutes is allowed between each surge test;
- (h) The applied test signals are monitored and recorded. The meter under test is monitored to confirm that correct operation is maintained;

- (i) After the tests each meter is inspected for visible damage, such as signs of arcing, etc.; and
- (j) To pass this test, the meter operates as specified with no visible damage observed.

**B-1: 13.19 Electrostatic Susceptibility Test**

This test verifies the ability of the meter to withstand electrostatic discharges:

- (a) This test is tested in accordance with the latest revision of Military Handbook DOD-HDBK-263;
- (b) The test generator simulates a human body with a capacitance of 100 Pico farads and a series resistance of 1500 ohms;
- (c) The test probe is a 3/8 inch rod with a rounded tip;
- (d) The following procedures are followed:
  - i. Test all surfaces, including switches and buttons and other components that are contacted by personnel under normal handling, installation and use of the meter. This includes any safety grounded or neutral terminals on the exterior of the meter enclosure;
  - ii. With the test probe voltage set at 10 kV, contact each of the above surfaces with the probe;
  - iii. With the test probe voltage set to 15 kV, locate the probe to within approximately 0.5 inch (avoiding contact) with each of the above surfaces; and
  - iv. The functions of the meter are periodically verified for correct operation; and
- (e) To pass this test, the meter operates as specified with no observed anomalies.

**B-1: 13.20 Visual Inspection**

This test is performed after all of the other tests except the shipping test have been performed:

- (a) Visual inspection is performed for all electronic circuit boards in the meter; and
- (b) To pass this test, the meter may not have any defect which would result in rejection under the latest recognized industry standards on any electronic circuit board.

**B-1: 13.21 Shipping Test**

This test confirms the ability of the meter and its packaging to withstand the rigors of shipping and handling:

- (a) The meter may not be energized during this test, but may be programmed and operating in the power backup mode;
- (b) The packaged meter is subjected to the following tests:
  - i. the National/International Safe Transit Association Pre-shipment Test Procedures, Project IA; and
  - ii. Method B, Single Container Resonance Test, of the latest revision of American Society for Testing and Materials (ASTM) Standard D-999. Test intensities, frequency ranges and test durations meet or exceed the recommended values of ASTM D-999; and
- (c) To pass this test, the meter is inspected and tested to verify that no damage occurred and that the time and all stored data is correct.

**B-1: 14 SAFETY****B-1: 14.1 Hazardous Voltage**

Hazardous voltages are not easily accessible with the meter cover removed.

**B-1: 14.2 Grounding**

All accessible conductive parts on the exterior of the meter and conductive parts that are accessible upon removal of the meter cover are be electrically connected to the meter grounding tabs. All connections in the grounding circuit are made with an effective bonding technique.

**B-1: 14.3 Toxic Materials**

No materials that are toxic to life or harmful to the environment are exposed in the meter during normal use.

**B-1: 14.4 Fire Hazard**

Materials used in the construction of the meter do not create a fire hazard.

**B-1: 15 DATA SECURITY AND PERFORMANCE**

- (a) Manual access for changing data or reprogramming requires the physical removal or breaking of a CAISO seal by CAISO or a CAISO Authorized Inspector.
- (b) No loss of data may occur as a result of the following events within design specifications:

- i. Power outages, frequency changes, transients, harmonics, reprogramming, reading; and
  - ii. Environmental factors—dampness, heat, cold, vibration, dust.
- (c) 5-minute interval data for all channels for the most recent 60-day period is always available and accessible via the communications interface or the optical interface.

## **B-1: 16 DOCUMENTATION**

### **B-1: 16.1 Hardware Documentation to Be Provided For CAISO Review**

- (a) Drawing(s) showing the external meter connections.
- (b) Instruction booklets detailing the necessary procedures and precautions for installation of the meter provided for use by field personnel during initial installation written in the style of a step-by-step outline.
- (c) One (1) technical/maintenance manual and one (1) repair manual provided for each meter style. These manuals must be sufficiently detailed so that circuit operation can be understood and equipment repair facilitated.
- (d) The above documents must be submitted for approval by CAISO. Approval of documents by CAISO does not relieve any responsibility for complying with all the requirements of this Exhibit.

### **B-1: 16.2 Software**

A complete set of manuals detailing the operation of the meter program and programming software is provided to CAISO. These manuals must explain to a person with only basic computer knowledge how to generate and download meter configuration files.

## **B-1: 17 APPLICABLE STANDARDS**

The standards referred to in Attachment A of this BPM apply to all meters.

## **B-1: 18 DEFINITIONS**

The following terms and expressions used in this Exhibit are detailed as set forth below:

**“ambient temperature”** means temperature of  $23^{\circ}\pm 2^{\circ}$  Celsius.

**“average power factor”** means the power factor calculated using the average active and reactive power flows over the latest demand interval.

**“delivered”** means Energy (active, reactive, or apparent) that flows from the CAISO Controlled Grid to an End-User.

**“failed meter”** means a meter in which any part or component, except the removable battery, has failed.

**“failure”** means any hardware, firmware or software failure, or any combination.

**“hazardous voltage”** means any voltage exceeding 30 volts rms.

**“meter”** means all single phase and three phase electronic meters.

**“meter program”** means a software package that allows the user to download meter configuration files into the meter and perform other testing and maintenance activities.

**“meter programmer”** means the device used for meter reading/programming.

**“MSDS”** means the Material Safety Data Sheet.

**“power failure backup system”** means a sub-system in the meter that provides power to the electronic circuitry when the normal power line voltage is below operating limits. The sub-system usually consists of a battery and may or may not include a super capacitor.

**“quadrant”** means the term used to represent the direction of power flows (active and reactive) between the CAISO Controlled Grid and an End-User. The 4 quadrants are defined as follows:

- (a) Quadrant 1 – shall measure active power and reactive power delivered by the CAISO Controlled Grid;
- (b) Quadrant 2 – shall measure active power received by CAISO Controlled Grid and reactive power delivered by the CAISO Controlled Grid;
- (c) Quadrant 3 – shall measure active power and reactive power received by the CAISO Controlled Grid; and
- (d) Quadrant 4 – shall measure active power delivered by CAISO Controlled Grid and reactive power received by the CAISO Controlled Grid.

**“received”** means Energy (active, reactive or apparent) that flows from a Generator to the CAISO Controlled Grid.

**“temperature tolerance”** means  $\pm 2^{\circ}$  Celsius.

### Attachment 1

#### Physical and Electronic Attribute Criterion for Electronic Meters

Test / Inspection Description	Pass	Fail
<b>1. Bayonets</b>		
A. Missing or loose parts, i.e., cotter pin, arc gap, etc.		
<b>2. Meter Base</b>		
A. Any cracked and/or missing/damaged gasket		
B. Any broken leg		
C. Missing or loose voltage link or screw		
D. Any missing or loose arc gaps		
E. Missing or damaged ventilation screen or filter on applicable meter		
F. Sealing hole unusable for sealing		
G. Any chips on upper half of meter (gasket ring area)		
H. Any chips which may jeopardize meter integrity		
I. Any sign of water damage in meter such as corrosion, oxidation, stain		
J. Missing or loose rivets holding frame to base		
<b>3. Meter Frame</b>		
A. Nameplate data incorrect or flawed		
B. Missing or loose hardware on frame		
<b>4. Module</b>		
A. Loose or defective power connectors		
B. Improper routing of voltage leads		
C. Improper fit (loose or crooked)		
D. Crimped or pinched voltage leads		
E. Incorrect module		
F. Calibration screw access should not be significantly affected (or covered)		
<b>5. Meter Cover</b>		
A. Wiring to communication port is correct & solid		
B. Proper meter cover is used for meter type and class		
C. Mechanical reset mechanism works properly		
D. Proper alignment, positioning, and operation of all cover mechanisms		
<b>6. Electronic Register</b>		

---

Test / Inspection Description	Pass	Fail
A. Program register to verify acceptance of rate schedule		
B. Check display that all segments are operational		
C. Check battery carryover function, if appropriate		
D. Check register tracking		
E. Check for any visual defects in the register assembly		

Only scratches and/or chips that are cosmetically or functionally objectionable are classified as defective and failing.

## Attachment 2

## Meter Display Items

Display Item	Normal Mode	Alternate Mode	Test Mode
<b>Minimum Requirements for Delivered kWh</b>			
Complete Display (Segment) Test	x	x	x
Demand Reset Count		x	x
Demand Reset Date		x	
Instantaneous kW	x	x	x
Interval length		x	
Minutes of Battery Use		x	
Present time	x	x	x
Program ID		x	
kWh	x	x	
Maximum kW	x	x	
Complete Display (Segment) Test	x	x	x
Demand Reset Count		x	x
Demand Reset Date		x	
Instantaneous kW	x	x	x
Interval length		x	
Minutes of Battery Use		x	
Present time	x	x	x
Program ID		x	
kWh	x	x	
Maximum kW	x	x	
<b>Additional requirements for kVAh (cont.)</b>			
Total Delivered kVAh		x	
Total Received kVAh		x	
<b>Additional requirements for Power Factor (if specified)</b>			
Quadrant 1 Average Power Factor		x	
Quadrant 2 Average Power Factor		x	
Quadrant 3 Average Power Factor		x	
Quadrant 4 Average Power Factor		x	
Total Average Power Factor Delivered		x	



---

Display Item	Normal Mode	Alternate Mode	Test Mode
Total Average Power Factor Received		x	

---

**Exhibit B-2 to Section B**

CAISO SPECIFICATION  
FOR CERTIFICATION OF COUPLING CAPACITIVE VOLTAGE TRANSFORMER (CCVT),  
OPTICAL SENSOR AND OIL-FILLED,  
WOUND INSTRUMENT TRANSFORMERS  
FOR CAISO REVENUE METERING

**B-2: 1 Purpose**

This Exhibit specifies the technical requirements for reliable high-accuracy current transformers (CT) and voltage transformers (VT) to be used for revenue quality metering on the CAISO Controlled Grid. The CAISO instrument transformers must meet the applicable provisions of ANSI C57.13-1978 (R1986), in addition to the provisions in this Exhibit.

**B-2: 2 Scope**

**B-2: 2.1** This Exhibit applies to the following:

- Oil-filled, CCVT and Optical Sensor CTs & VTs.
- All other CTs & VTs indoor or outdoor instrument transformers 10 kV BIL through 350 kv BIL (0.6 kv NSV through 69 KV NSV).

**B-2: 2.2** This Exhibit applies only to the following above CTs & VTs, which are < 35kv and > 525kv must be individually specified in accordance with the engineered installations. This exhibit also applies to metering transformers.

**B-2: 3 Standards**

All instrument transformers covered by this Exhibit are designed, manufactured, tested and supplied in accordance with the applicable standards referred to in Attachment A of this BPM.

**B-2: 4 Definitions**

“**hermetically sealed**” means completely sealed by fusion, soldering, etc., so as to keep air or gas from getting in or out (i.e. airtight).

“**metering unit**” means one or more voltage element(s) and one or more current element(s) contained in one common housing.

“**BIL rating**” means basic lightning impulse insulation level.

“**burden rating**” means the total impedance (in ohms) that can be connected to the secondary circuit(s) of an instrument transformer while maintaining metering accuracy of plus-or-minus 0.3%

**B-2: 5 Specifications****B-2: 5.1 General**

All instrument transformers covered by this Exhibit have a minimum BIL rating appropriate for the designated nominal system voltage:

- 0.6 kV – 10 kV BIL

- 
- 4.8 kV – 14.4 kV – 60 kV BIL
  - 25 kV – 125 kV BIL
  - 34.5 kV – 200 kV BIL
  - 60 - 69 kV – 350 kV BIL
  - 115 kV – 550 kV BIL
  - 230 kV – 900 kV BIL
  - 525 kV – 1800 kV BIL

**B-2: 5.2 Current Transformers**

**B-2: 5.2.1** Current transformer windings (typical configurations) are either:

- (a) A single primary winding and single secondary winding with dual ratio tap;
- (b) A dual primary winding and a single ratio tap;
- (c) A single primary winding and one or more secondary windings with dual ratio tap(s);  
or
- (d) Other combinations as available and approved by CAISO.

**B-2: 5.2.2 Rated primary current**

The rated primary current must be as specified by the CAISO Metered Entity.

**B-2: 5.2.3 Rated secondary current**

The rated secondary current must be 1 or 5 amperes @ rated primary current depending on the type of CT.

**B-2: 5.2.4 Accuracy and burden**

All current transformers have an accuracy and burden of:

- (a) Standard – plus-or-minus 0.3% @ B0.1 - 1.8 ohms, 10% - 100% rated current; or
- (b) Optional – plus-or-minus 0.15 % @ B0.1 - 1.8 ohms, 5% - 100 % rated current.

**B-2: 5.2.5 Continuous current rating factor**

All current transformers have a continuous current rating factor (or better) of:

- (a) Standard – 1.5 @ 30 degrees C Ambient; or

(b) Optional – 1.0 @ 30 degrees C Ambient.

**B-2: 5.2.6 Short time thermal current rating**

The short time thermal current rating varies with transformer rating as follows:

25/50: 5 ratio, 4 kA RMS to 1500/3000:5 ratio, 120 kA RMS.

**B-2: 5.2.7 Mechanical short time current rating**

The mechanical short time current rating varies with transformer rating as follows:

25/50:5 ratio, 3 kA RMS to 1500/3000:5 ratio, 90 kA RMS.

**B-2: 5.3 Voltage Transformers**

**B-2: 5.3.1** Transformer windings consist of a single primary winding and one or more tapped secondary windings.

**B-2: 5.3.2** Rated primary voltage, as specified by the CAISO Metered Entity, must be 34,500 volts through 138,000 volts, L-N.

**B-2: 5.3.3** Rated secondary voltage must typically be 115/69 volts.

**B-2: 5.3.4** The ratio of primary to secondary windings must be 300/500:1 through 1200/2500:1.

**B-2: 5.3.5 Accuracy and burden**

All voltage transformers have accuracy and burden (or better) of:

(a) Standard – plus-or-minus 0.3% through B. ZZ @ 90% through 110% of nominal voltage; or

(b) Optional – plus-or-minus 0.15% through B. Y 90% through 110% of nominal voltage.

**B-2: 5.3.6 Thermal burden rating**

All voltage transformers have a thermal burden rating (or better) of:

(a) 34.5 kV – 2500 VA, 60 hertz

(b) 60 kV & 69 kV – 4000 VA, 60 hertz

(c) 115 kV – 6000 VA, 60 hertz

(d) 230 kV – 12000 VA, 60 hertz

(e) 525 kV – 24000 VA, 60 hertz.

**B-2: 5.4 Combination Current/Voltage Transformers (metering units)**

Metering units maintain the same electrical, accuracy and mechanical characteristics as individual CTs and VTs. Physical dimensions may vary according to design.

**B-2: 5.5 Grounding**

The neutral terminal of the VT must exit the tank via a 5kV-insulated bushing and be grounded by means of a removable copper strap to a NEMA 2-hole pad.

**B-2: 5.6 Primary Terminals**

The primary terminals must be tin-plated NEMA 4-hole pads (4"x4").

**B-2: 5.7 Paint**

Exterior metal non-current-carrying surfaces must be painted with a weather-resistant paint system consisting of one primer and two industry recognized gray finish coats. As an option, for high-corrosion areas, special corrosion-resistant finishes (e.g. zinc-rich paint, stainless steel tank) may be used.

**B-2: 5.8 Porcelain**

Porcelain must be of one-piece wet-process, glazed inside and outside. The outside color must be in accordance with industry recognized gray glaze. The minimum creepage and strike-to-ground distances for various voltages must be as follows:

Voltage (nominal kV)	Creepage (inches)	Strike (inches)
34.5	34	13
60 & 69	52	24
115	101	42
230	169	65
230 (1050 BIL)	214	84

**B-2: 5.9 Insulating Oil**

The nameplate must be of non-corroding material and must indicate that the dielectric fluid is free of polychlorinated biphenyls by the inscription:

**“CONTAINS NO PCB AT TIME OF MANUFACTURE”.**

**B-2: 5.10 Accessories**

All units must be equipped with the following standard accessories, if applicable:

- 1/2" brass ball drain valve with plug
- 1" oil filling opening with nitrogen valve
- Magnetic oil level gauge, readable from ground level
- Primary bypass protector
- Sliding CT shorting link
- Four 7/8"x 2-3/8" mounting slots
- Four 1" eyebolts on base for four-point lifting sling
- 1/4" threaded stud secondary terminals
- Two conduit boxes, each with three 1-1/2" knockout

**B-2: 6 Testing**

The CAISO Metered Entity must ensure that, before shipment, each transformer is subjected to testing as prescribed by recognized industry standards and other tests including:

- (a) Applied voltage test for primary and secondary winding withstand to ground;
- (b) Induced voltage test for proper turn-to-turn insulation;
- (c) Accuracy test for ratio correction factor and phase-angle verification to confirm 0.3% metering accuracy per recognized industry standards;
- (d) Ratio test;
- (e) Insulation Power Factor test;
- (f) Polarity test;
- (g) Leak test to assure integrity of gaskets and seals; and
- (h) Partial Discharge Test may be done in conjunction with applied voltage testing to assure proper line-to-ground withstand.

The certified tests must be submitted to the CAISO.

**B-2: 7 Required Information**

The following drawings and information are required:

- 
- (a) One set of drawings showing physical dimensions including mounting holes and primary CT terminal details, nameplate. The CAISO Metered Entity must ensure that it receives a schematic of connections from its supplier; and
  - (b) A copy of quality controls/quality assurance (QC/QA) manuals applicable to production of the transformer(s).



## Section C. Transformer and Line Loss Correction Factors

### C1 Introduction

Transformer loss correction refers to the practice of metering electrical Energy delivered at a high-voltage billing point using metering equipment connected on the low-voltage side of the delivery point. The metering equipment is provided with a means of correction that adds to, or subtracts from, the actual active and reactive metered values in proportion to losses that are occurring in the transformer.

Transformer losses are divided into two parts:

- The core or iron loss (referred to as the no-load loss); and
- The copper loss (referred to as the load loss).

Both the no-load loss and the load loss are further divided into Watts and VAR components.

The no-load (iron) loss is composed mostly of eddy current and hysteresis losses in the core. No-load loss varies in proportion to applied voltage and is present with or without load applied. Dielectric losses and copper loss due to exciting current are also present, but are generally small enough to be neglected.

The load (copper) watt loss ( $I^2 +$  stray loss) is primarily due to the resistance of conductors and essentially varies as the square of the load current. The VAR component of transformer load loss is caused by the leakage reactance between windings and varies as the square of the load current.

Line losses are considered to be resistive and have  $I^2R$  losses. The lengths, spacing and configurations of lines are usually such that inductive and capacitive effects can be ignored. If line losses are to be compensated, they are included as part of the transformer load losses (Watts copper).

The coefficients, which are calculated at the calibration point of the meter, are entered into the meter as Percent Loss Watts Copper (%LWCU), Percent Loss Watts Iron (%LWFE), Percent Loss VARs Copper (%LVCU), and Percent Loss VARs Iron (%LVFE).

Percent losses are three phase losses expressed as a percent of the full load on a meter.

The formulas used to determine the compensation values at a particular operating point are:

$$\text{WATTS Compensation Value} = \frac{\text{Measured Voltage}^2}{\text{Calibration Point Voltage}^2} * \%LWFE + \frac{\text{Measured Current}^2}{\text{Calibration Point Current}^2} * \%LWCU$$

$$\text{Compensation Value} = \frac{\text{VARs}}{\text{Measured Voltage}^4} * \%LVFE + \frac{\text{Measured Current}^2}{\text{Calibration Point Voltage}^4} * \%LVCU$$

## C2 Calculating Transformer Loss Constants

Transformer loss correction calculations with electronic meters are accomplished internally with firmware. Various setting information and test data is required to calculate the four values which are to be programmed into the meter.

The following information is required about meter installations:

- The transformer high voltage (HV) voltage rating
- The transformer kVa rating
- The transformer high voltage (HV) tap settings
- The transformer low voltage (LV) tap settings
- The transformer connection (wye or delta)
- The transformer phases (1 or 3)
- The voltage transformer (VT) ratio
- The current transformer (CT) ratio
- The number of meter elements
- The following data from a transformer test report is required:
  - No-load (iron) loss
  - Full-load (copper) loss
  - Percent impedance
  - Percent excitation current

The test data required may be obtained from the following sources:

- The manufacturer's test report
- A test completed by a utility or independent electrical testing company

If the transformer bank is used to deliver power to more than one entity (that is, it is a joint use transformer bank) additional data is required, including the:

- ❑ Maximum available kVA from the transformer bank
- ❑ Contracted amount of load to be compensated in kW
- ❑ Contractual power factor amount to be used in calculations

### C3 Calculating Line Loss Constants

Line loss correction calculations with electronic meters are accomplished internally with firmware. A variety of information about a radial line is required to calculate the value which is programmed into the meter. Resistance of the conductors are used to calculate a value which is added to the Watts copper loss value which is programmed into the meter. The following information is required about the radial line:

- ❑ The line type
- ❑ The AC Ohms per mile or per unit losses
- ❑ The length in miles of each type of line
- ❑ Lines shared with multiple resources

### C4 Applications

#### *Joint Use Transformers*

Where a transformer bank is used to deliver power to more than one entity (that is, a joint use transformer bank), no-load iron losses are adjusted by the transformer percent use. This percent use is determined by dividing a negotiated contract kW load (*Contract kW*) at a negotiated power factor (*% Power Factor*) by the maximum available kVA from the transformer bank (*Max. Available kVA*).

$$\text{Percent Use} = \frac{\text{Contract kW} / \% \text{ Power Factor}}{\text{Max. Available kVA}}$$

#### *Switched Lines*

Line loss correction for radial lines which are switched, must be based on a negotiated average resistance based on the operating characteristics.

---

*Transformer Load Tap Changer*

Transformers equipped with a load tap changer (i.e., which has the capability to change transformer voltage tap positions or settings under Load) for regulating voltage, must have the corrections calculated at the median tap voltage. Differences in the corrections must be minimal and must even out over time as the bank operates above and below the median tap voltage.

---

**Section D. Instrument Transformer Ratio and Cable Loss Correction Factors****D1 Background**

All current transformers (CTs) and voltage transformers (VTs) (collectively, instrument transformers) have inherent errors due to their design and the physical properties of the materials used in their construction. These errors are manifested as a magnitude and phase angle difference between the "ideal" nameplate ratio and the waveform actually present on the secondary of the transformer. The terms used to denote these errors are Ratio Correction Factor (RCF) and Phase Angle Correction Factor (PACF).

The burden (load) connected to instrument transformer secondaries has an effect on the RCF and PACF of the units. All wiring and instrumentation of any kind is part of the burden. On a CT, the burden is designated in ohms and is represented by a number ranging from B-0.1 through B-1.8. On a VT, burden is measured in volt-amps and indicated by an alpha character, such as W, X, M, Y, Z or ZZ. The magnitude of these burdens must be known and kept within specified limits or additional errors occur in the metering.

Significant impedance in the leads between the VTs and the meter can be another source of error, where a voltage drop in the leads is caused by the load of the meter and any other connected devices between the VTs and the meter. Conductors which are too small or too long can cause metering error.

**D2 Correction when the Burden Rating is exceeded**

Where the connected burden of a metering circuit exceeds the burden rating of a CT or VT or if an existing instrument transformer does not meet minimum CAISO accuracy requirements, then one of the actions listed below must be taken:

- i. The preferred action is to correct the problem by either replacing the instrument transformer(s) with higher burden rated revenue class units or reducing the burden on the circuit to comply with the name plate of existing instrument transformer(s).
- ii. An acceptable action is to apply CAISO approved correction factors to the meter to adjust the meter's registration to compensate for inaccuracies.

The CAISO Metered Entity is responsible for properly calculating and applying the CT/VT and cable loss correction factors to its meter to adjust for inaccuracies in the metering circuit. CAISO approved algorithms and spreadsheets for calculating correction factors are included in this Part.

**D3 CT Ratio Correction Factor**

Current transformers are usually tested by the manufacturer for the value of RCF and phase angle at both 5 and 0.5 amp secondary currents. The values for each CT in an installation would be averaged together to determine the CT Ratio Correction Factor (RCFI) and CT Phase Angle (b). If the current transformers used are revenue metering with an accuracy class of 0.3

% and are operated at or below their rated burden, then the correction factors may be disregarded.

#### **D4 VT Ratio Correction Factor**

Voltage transformers are usually tested by the manufacturer for the value of RCF and phase angle at rated voltage. The values for each VT in an installation would be averaged together to determine the VT Ratio Correction Factor (RCFE) and VT Phase Angle (g). If the voltage transformers used are revenue metering with an accuracy class of 0.3 % and are operated at or below their rated burden, then the correction factors may be disregarded.

#### **D5 Cable Loss Correction Factor**

The secondary voltage cables at an installation can be tested to determine the losses and phase angle of each. These values would then be averaged together to get the Cable Loss Correction Factor (CLCF) and the Phase Angle (a) for the installation. If the calculated connected burden of each phase does not exceed the VT burden rating, then the correction factors may be disregarded.

#### **D6 Final Correction Factor**

The PACF for an installation is determined by the following formula:

$$PACF = \frac{\cos(Q + b - a - g)}{\cos Q}$$

Where  $\cos Q$  is the secondary apparent power factor.

The Final Correction Factor (FCF) can then be determined as follows:

$$FCF = RCFI * RCFE * CLCF * PACF$$

The Percent Error is the amount of error caused by the instrument transformers and cable loss, it is calculated as follows:

$$\text{Percent Error} = (1 - FCF) * (100)$$

The Percent Meter Adjustment is the adjustment to the meter required to compensate for the Percent Error, it is calculated as follows:

$$\text{Percent Adjustment Factor} = (FCF - 1) * (100)$$

The FCF is applied to the calibration of the meter, usually through adjustment of the calibration potentiometer or through a change in the programmed calibration values. After an adjustment to the meter is made, the meter should be tested at all test points to show that the meter is within calibration limits with the calibration values applied. A FCF which results in a correction of less than 0.6% can be disregarded since this is less than the required combined accuracy of

the instrument transformers. However, if any correction factor (full load, light load or power factor) results in a correction of more than 0.6%, they should all be applied.

## **D7 Applications**

### *Typical Installation*

The preferred meter installation would utilize revenue metering class instrument transformers (0.3 %) operated at or below rated burden. If this is not the case, one or more of the following actions may be used to correct the problem:

- Replace instrument transformers with higher burden rated units.
- Reduce the burden on the circuit to comply with the existing rated burden.
- Apply correction factors to the meter to compensate for inaccuracies.

### *Paralleling CTs*

In normal revenue metering, current transformers would not be paralleled, but there are some applications where paralleling is done because the cost of the installation is reduced and the possibility of reduced meter accuracy is acceptable. A typical installation of this type would be to meter the net output of a generating station on a single meter rather than metering gross generator output and auxiliary power separately. In these type of installations additional rules apply:

All of the transformers must have the same nominal ratio regardless of the ratings of the circuits in which they are connected.

All transformers which have their secondaries paralleled must be connected in the same phase of the primary circuits.

The secondaries must be paralleled at the meter and not at the current transformers.

There should only be one ground on the secondaries of all transformers. This should be at their common point at the meter. Each utility may use their established grounding procedures.

Modern current transformers with low exciting currents and, therefore, little shunting effect when one or more current transformers are "floating" at no load should be used. Three or more "floating" current transformers might have an effect that should be investigated.

The secondary circuits must be so designed that the maximum possible burden on any transformer does not exceed its rating. The burden should be kept as low as possible as its effects are increased in direct proportion to the square of the total secondary current.

A common voltage and frequency must be available for the meter.

If adjustments are made at the meter to compensate for ratio and phase angle errors, the ratio and phase angle error corrections used must represent the entire combination of transformers as a unit.

The watt-hour meter must be able to carry, without overload errors, the combined currents from all the transformers to which it is connected.

While servicing meters and equipment on parallel CT secondaries, all CTs must be by-passed (shorted). When work is completed all bypasses must be removed.

## **Section E. Distribution Compensation Factor (DCF)**

### **E1 Overview**

A Distribution Compensation Factor (DCF) is the term used in quantifying the effect a CAISO Metered Entity generation has to the distribution facilities to which it is electrically connected to and through which it must pass its registered energy delivery to the CAISO Point of Receipt (POR).

### **E2 Determination of Distribution Compensation Factor (DCF)**

The Distribution Compensation Factor must be based on an engineering study that is not in conflict with any Tariff or Interconnection Agreements entered into between the CAISO Metered Entity and the UDC/Distribution Provider for which they are an Interconnection Customer. The engineering study must be an analysis of the effect the delivery of energy has on the distribution system to which it is interconnected from the CAISO metered entities generator. The analysis provides the accounting for any losses or credits attributed to delivery of the energy into that distribution system at that point of interconnection.

The CAISO will recognize an engineering study found in or supporting a Distribution System interconnection agreement or Distribution System access tariff or agreement as a valid, independent study for purposes of determining the Distribution Compensation Factor.

In the absence of an engineering study, the CAISO will accept a default Distribution Compensation Factor of 1.0.

### **E3 Application of Distribution Compensation Factor (DCF)**

When a CAISO Metered Entity is connected to a Utility Distribution Company's (UDC)/Distribution Provider Distribution System, an approved Distribution Compensation Factor



---

must be determined and must be programmed into the meter to reflect the point of delivery at the CAISO Controlled Grid.

Agreement of the Distribution Compensation Factor by all parties will be a pre-condition to CAISO meter certification.

#### **E4 Engineering Study for Distribution Compensation Factor (DCF) Guideline**

The Engineering study should provide the following:

- Methodology of how DCF, loss or credit, was derived.
- Detailed calculation on overall and system component losses.
- Diagrams and power flows overall system including the point of interconnects.
- Calculated sub-transmission energy loss multiplier and loss adjustments
- Executive summary of the results including approved DCF.

## **Attachment C**

# **CAISO Authorized Inspector Initial Site Verification and Meter Test Procedures**

---

## Attachment C: CAISO Authorized Inspector Initial Site Verification and Meter Test Procedures

The intent of the site verification is to verify the metering circuit meets CAISO criteria prior to issuance of a CAISO metering certification. The purpose of this site verification process is to identify the duties of the person that will carry out the verification process for initial transformer rated CAISO Metering sites. The person completing this procedure must have a working knowledge of the instrument transformers, meters, local data server, and other associated metering equipment as well as being knowledgeable of CAISO certification guidelines.

### C1. Instrument Transformer Verification

In all cases, if the current transformers or voltage transformers (CT/VT) are not accessible due to energized components or extensive disassembly is required that may impact plant availability; the CAISO Authorized Inspector notes the unavailability and requests the owner to identify a scheduled outage when the current transformer nameplate may be accessed safely.

#### C1.1 Name Plate Accuracy (5)

The CAISO Authorized Inspector visually inspects the primary connections of the current transformers and voltage transformers, then reads and records all the current transformer and voltage transformer nameplate data on the Site Verification Data Sheet. The nameplate data should include the following information.

- Manufacturer
- Serial number
- Voltage class
- Type
- Instrument Transformer ratios
- Burden rating
- Rating Factor
- BIL

---

□ ANSI Accuracy Class

The CT should comply with ANSI 0.3 Accuracy Class for metering current transformers for B0.1 through B1.8 and the VT for X through ZZ. CAISO approved correction factor algorithms are allowed to compensate for less than + - 0.3% accuracy.

C1.2 Phase and Polarity checks

CAISO Authorized Inspector verifies that the polarity mark on all CT/VT follow the same convention. (i.e. all polarity marks connected using the same convention,) , with the H1 facing CAISO Grid. If there is more than one primary conductor passing through the CT/VT, then the phasing must be verified.

C1.3 Ratio Check

CAISO Authorized Inspector verifies that the stated CT/VT ratio matches the manufacturer's nameplate ratio. Where it is determined that the ratio is greater than + - 0.3% or ratio accuracy cannot be verified, a ratio test is required.

C1.4 Burden Check

The calculated or measured burden from all the equipment in the CT/VT circuit, including the meter(s), should be less than the CT/VT burden designated on the nameplate (reference ANSI Standard Burdens for instrument transformers).

C1.5 Transformer Correction Factor

If a transformer correction factor is applied to the meter, the CAISO Authorized Inspector reviews the CT/VT data (ratio and phase angle test at the specified burdens at full load) and the calculations (TCF<sup>6</sup> at actual applied burden) provided by the owner to verify the instrument transformers meet the 0.3 Accuracy Class requirements.

## C2. Metering Service Verification

The purpose of the metering service verification is to verify the metering installation is wired and operating properly.

---

<sup>6</sup> Transformer Correction Factor

The CAISO Authorized Inspector records the service information on the Site Verification Sheet. The information includes the following:

- Point of Receipt to the CAISO Controlled Grid and Service Voltage,
- Power Transformer Rating
- Type of Service (3W Delta, 4W Wye or single phase, etc.)

#### C2.1 Recording at Meter Test Switch

CAISO Authorized Inspector reads and records the voltage and current at the meter test switch. Record the date and time from the revenue meter. Isolate at the test switch and remove the revenue meter. Install and program the solid-state test meter for the appropriate service type.

#### C2.2 Recording Magnitude and Phase Angles

CAISO Authorized Inspector reads and records the magnitude and phase angles for each of the phase voltages and currents at the meter test switch even if the meter is not capable of producing angles.

#### C2.3 Required Method of Reading and Recording Voltage, Current and Phase Angles

C2.3.1 Preferred method for reading and recording voltage, current and all phase angles is to utilize the diagnostic capability of the meter that displays the necessary quantities.

C2.3.2 Read and record all current, voltage and phase angles readings on the Site Verification Data sheet. Also, complete the vector diagram to indicate the present phase relationships. Check for diagnostic errors.

C2.3.3 Check for diagnostic meter errors. If errors occur, analyze the site to correct error. Indicate on the remarks section of the Site Verification Data Sheet that a diagnostic meter error was detected.

C2.3.4 Complete the vector diagram with the recorded information. Compare the vector diagram with the given unity vector diagram found on the borders of the Site Verification Data sheet. Remember that the given vector diagrams are at the unit power factor, so the site vector diagram are shifted by a given angle.

#### C2.4 Accuracy Test

When possible, the meter accuracy testing must be performed when the unit is offline. If the meter accuracy test is performed when the unit is online it is prudent that the CAISO Authorized Inspector monitor the generation output using other plant instrumentation or have the plant operator maintain the generation at constant output.

#### C2.5 Instantaneous Demand

CAISO Authorized Inspector compares the instantaneous demand from the test meter to the instantaneous demand from the revenue meter and indicates the results on the Site Verification Data Sheet

### C3. Revenue Meter

Upon successful completion of the Instrument Transformer Verification and the Metering Service Verification, the CAISO Authorized Inspector either performs or witnesses a test of the Revenue meter. The recommended practice is to test the meter in place using a CAISO approved watt-hour/var-hour standard and load box. The accuracy test should be performed in the test mode to prevent the registration of test data in the meter. Before taking the meter out of service, the CAISO Authorized Inspector verifies with CAISO Meter Engineering that all clearances and permits are in effect. The CAISO Authorized Inspector records the time the meter was taken out of service, the output level of the generator, if on-line, and the time that the meter was placed back in service. All of the following information is recorded on the Site Verification Data Sheet.

#### C3.1 Accuracy Test

CAISO Authorized Inspector either performs or witnesses the performance of a calibration test on the revenue meter for watt-hour and var-hour function for both directions of energy flow (delivered/received). Tests should be performed with and without compensation applied to get a true test of the metered site. Utilize a CAISO approved test set to perform the calibration test.

#### C3.2 Transformer and Line Loss Compensation Settings & Instrument Transformer Correction Factors

The Transformer and Line Loss Correction Factors compensation values, in addition to the correction factors from the meter are compared to the values found in the owner's documentation for the specific location. If the values

---

differ, the CAISO Authorized Inspector makes a note in the remarks section of the Site Verification Data Sheet.

#### C3.2 Distribution Compensation Factors

The Distribution Compensation Factors compensation values are compared to the values found in the owner's documentation for the specific location and those obtained by the CAISO. If the values differ, the CAISO Authorized Inspector makes a note in the remarks section of the Site Verification Data Sheet.

#### C3.3 Program and Input/output Data check

The CAISO Authorized Inspector uses a laptop to verify correct programming (program ID) and programming constants for the revenue meter. The CAISO Authorized Inspector also verifies the proper operation of the KWh data output with a volt-ohm meter, if the output is being utilized.

### **C4. Communications Circuit Test**

The purpose of this test is to verify that the CAISO RMDAPS system can communicate with the revenue meter. The communication circuit is typically either via a Frame Relay, ISDN, 56k digital circuit or switched phone circuit, etc.

CAISO Authorized Inspector requests the CAISO RMDAPS call the specific location and verify that the meter communicates. If the communication has not been installed, the CAISO Authorized Inspector uses a laptop or other test equipment to verify that the RS-232 ports of the meters are operational. Simulate an event that is programmed into the meter (such as power failure or threshold limit) and verify that the meter records and stores that event when polled by CAISO RMDAPS.

## **Attachment D**

# **CAISO DATA VALIDATION, ESTIMATION AND EDITING PROCEDURES FOR REVENUE QUALITY METER DATA (RQMD)**



---

## **Attachment D: CAISO Data Validation, Estimation and Editing Procedures for Revenue Quality Meter Data (RQMD)**

This attachment provides an overview of the process CAISO can utilize to VEE Meter Data associated with CAISO Metered Entities (ISOME) and RMDAPS. The CAISO uses its best judgment to select the validation routines used. Described below are the validations that are available, as well as the current validations used by the CAISO. The CAISO will from time to time review the validation routines being used to assure that VEE objectives are being achieved and update this BPM identifying the currently used validations.

### **D1 Timing of Validation**

Meter Data is remotely retrieved from CAISO Metered Entities by RMDAPS. Validation is performed on the new Meter Data as it is retrieved from the meter in order to detect:

Missing data

Data that could be invalid based upon status information returned from the meter

Meter hardware or communication failure

Additional validations can be performed on an as needed basis to verify data against Load patterns, Backup Meters, Schedules, SQMDS load interval data and data obtained from SCADA.

### **D2 Data Validation Conditions of Metering/Communications Hardware**

RMDAPS detects the following conditions so that erroneous data is not used for Settlement or billing purposes.

Validation detects the following metering/communication hardware failures:

Meter hardware/firmware failures

Communication errors

Data which is recorded during meter tests

Mismatches between the meter configuration and host system Master File

---

Meter change outs (including changing CT/VT ratios)

Gaps in data

Overflow of data within an interval

ROM/RAM errors reported by the meter

Alarms/phase errors reported by the meter

### **D3 Validation Criteria**

Validation criteria are defined by CAISO for each channel of revenue quality interval data (kW/kVAR/kVa/Volts, etc.) depending on the characteristics for each meter location and the type of data being recorded.

Validation is based upon reasonable criteria that can detect both hardware and operational problems with a high degree of confidence but is set so as to avoid unnecessary rejection of data.

### **D4 Validation of Stated Criteria**

Data validation is performed only for the validation criteria that have been entered for each meter channel of data. For example, the number of intervals of zero Energy recorded by the meter for the channel indicated is validated only when a non-zero value is entered for these criteria.

Additional validation can be performed based upon usage patterns, comparisons to Backup Meters, schedules or data obtained from SCADA.

### **D5 Validation Failure**

Data that fails validation is flagged with the reason for the failure, where applicable. Data that fails checks is identified so that manual intervention can be used to estimate the correct values in order to edit the data or to manually accept the data.

## D6 Validation Criteria

### D6.1 Validation Configuration

The chart below provides a list of available validation routines and those that are currently configured in RMDAPS. Additional information is provided to describe all available validation routines.

<u>Validation Criteria</u>	<u>Options Currently Used</u>
Meter Data vs. Recorder Data (Energy Tolerance)	Yes
Intervals Found vs. Intervals Expected	Yes
Time Tolerance Between RMDAPS and Meter	Yes
Power Outage Intervals	Yes
Missing Intervals (Gaps in Data)	Yes
High/Low Limit Check On Interval Demand	Yes
High/Low Limit Check on Energy	No
CRC/ROM/RAM Checksum Error	Yes
Meter Clock Error	Yes
Hardware Reset Occurred	Yes
Watchdog Timeout	Yes
Time Reset Occurred	Yes
Data Overflow In Interval	Yes
Parity Error (Reported by Meter)	No
Alarms (From Meter)	No
Load Factor Limit	No
Power Factor Limit	No
Main vs. Backup Meter Tolerance	No
Actual vs. Schedule Profile	No
Actual vs. SCADA Data	No
Comparison of Current Day to Previous Day	No
Percent Change Between Intervals	No

### D6.2 Meter Data vs. Recorder Data (Energy Tolerance)

#### D6.2.1 Meter Readings

Meter readings are obtained from CAISO approved meters on a daily basis in order to validate interval Energy measurements. This Energy tolerance check is used to detect meter change outs or changes in metering CT/VT ratios that have not been reflected in the RMDAPS master files (meter configuration files). A “tolerance type” parameter is set in the RMDAPS system parameter to define the type of check to be performed.

The types of check that can be used include the following:

ID	Term	Description
M	Multiplier	Allows a percentage of the meter multiplier difference between the meter reading the recorded interval total energy.
P	Percent	Allows a percentage of the metered total energy difference between the metered total energy and the recorded total energy. The percent of allowed difference is defined by CAISO on an individual meter channel basis.
Q	Same as percent	Based on 30 days of data. If the data relates to a period less than 30 days then the total usage is projected to 30 days as follows: Projected Usage=Total Usage*(30/Total Days)
D	Dual Check	Percent Method (P) is the primary check. If it fails, then the Multiplier Method (M) is used.
E	Dual Method	Percent Method (Q) is the primary check. If it fails, then the Multiplier Method (M) is used.
N	None	No tolerance check

### D6.2.2 Intervals Found vs. Intervals Expected

RMDAPS calculates the expected number of time intervals between the start and stop time of the data profile file and compare that number against the actual number of time intervals found in the RMDAPS data file. The calculation used to determine the expected number of time intervals takes into account the size or duration of the actual time intervals for the particular meter/data file (e.g., 5 min, 15 min, 30 min and 60-min interval sizes).

### D6.2.3 Time Tolerance between RMDAPS and Meter

When RMDAPS retrieves data from a meter, the RMDAPS workstation clock is compared against the meter’s clock. RMDAPS is configured to automatically update the meter closes within certain tolerances, limits and rules including:

A time tolerance parameter (in seconds) that indicates the allowable difference between the RMDAPS workstation clock and the meter clock (if the meter clock is within that parameter, RMDAPS does not update the meter clock)

---

An upper limit for auto time set that is the maximum number of minutes a meter can be out of the time tolerance before RMDAPS performs an auto time set

RMDAPS does not perform auto time sets across interval boundaries

The auto time set feature supports DST changes and time zone differences. Since all CAISO Metered Entity's meters that are polled by RMDAPS are set to Standard Time, this rule does not generally apply

#### **D6.2.4 Number of Power Outage Intervals**

CAISO approved meters record a time stamped event for each occurrence of a loss of AC power and a restoration of AC power. During the Meter Data retrieval process, RMDAPS flags each RMDAPS interval between occurrences of AC power loss and AC power restoration with a power outage status bit.

#### **D6.2.5 Missing Intervals (Gap in Data)**

The RMDAPS validation process compares the stop and start times of two consecutive pulse data files for a meter and reports if a missing interval/gap exists.

#### **D6.2.6 High/Low Limit Check on Interval Demand and Energy**

The RMDAPS validation process compares the Demand and Energy High/Low Limits entered by the RMDAPS operator on a meter channel basis in the RMDAPS meter channel table against the actual values collected from the meter. This comparison is performed on an interval-by-interval basis. If the actual values are either less than the Low Limit or greater than the High Limit, then the RMDAPS validation process fails.

#### **D6.2.7 CRC/ROM/RAM Checksum Error**

This general meter hardware error condition can occur during an internal status check or an internal read/write function within the meter. This error code is not standard on some meters (reference must be made to the meter's user manual). When available, this internal status information is collected during the RMDAPS Meter Data retrieval process and stored for review/reporting purposes.

#### **D6.2.8 Meter Clock Error**

This meter hardware error condition can occur whenever an internal meter hardware clock error results in an invalid time, day, month, year, etc. This error code is not standard on some meters (reference must be made to the meter's user manual). When available this interval status

---

information is collected during the RMDAPS Meter Data retrieval process and stored for review/reporting purposes.

#### **D6.2.9 Hardware Reset Occurred**

This meter hardware error condition occurs whenever an internal meter hardware reset occurs. This error code is not standard on some meters (reference must be made to the meter's user manual). When available this interval status information is collected during the RMDAPS Meter Data retrieval process and stored for review/reporting purposes.

#### **D6.2.10 Watchdog Timeout**

This error code is not standard on some meters (reference must be made to the meter's user manual). When available, this feature watches for meter inactivity, indicating a possible meter failure.

#### **D6.2.11 Time Reset Occurred**

This is a meter error code that indicates that the meter time has been reset. See Time Tolerance Between RMDAPS and Meter.

#### **D6.2.12 Data Overflow in Interval**

This error code occurs when the amount of data in an interval exceeds the memory capabilities of the meter to store the data. This alerts RMDAPS that there is corrupt data for the interval.

#### **D6.2.13 Parity Error (Reported by Meter)**

Parity error is another indicator of corrupted data.

#### **D6.2.14 Alarms (From Meter)**

CAISO RMDAPS operator can utilize meter alarms to determine if the alarm condition creates data integrity problems that need to be investigated.

#### **D6.2.15 Load Factor Limit**

The RMDAPS validation process can compare the daily Load Factor to the limit entered by the RMDAPS operator. RMDAPS prompts the operator to investigate data integrity if the limit is out of tolerance.

---

**D6.2.16 Power Factor Limit**

The RMDAPS validation process can compare the actual Power Factor to the limit entered by the RMDAPS operator. RMDAPS prompts the operator to investigate if the limit is out of tolerance.

**D6.2.17 Main vs. Backup Meter Tolerance**

The main and check Backup Meters can be configured in RMDAPS to be compared on a channel by channel basis to the Backup Meter ID, channel number, percent tolerance allowance and the type of check. Interval or daily Meter Data is entered into the corresponding main meter RMDAPS meter channel table record. This information remains constant unless:

A meter change out occurs at the site

The percent tolerance allowance needs adjusting

The type of check is switched

If the percentage difference between the main channel interval Demand and the check channel interval Demand exceeds the Percent Tolerance allowed, the RMDAPS validation fails. If, after applying this validation test, the percentage difference between the main channel total Energy and the check channel total Energy for each Trading Day exceeds the allowed percentage, the RMDAPS validation fails. In both cases, if the percentage difference is less than the Percent Tolerance allowed, the RMDAPS validation is accepted.

**D6.2.18 Actual vs. Schedule Profile**

Data can be compared on an interval by interval basis like main meter vs. Backup Meter.

**D6.2.19 Actual vs. SCADA Data**

Data can be compared on an interval by interval basis like main meter vs. Backup Meter.

**D6.2.20 Comparison of Current Day To Previous Day**

The RMDAPS validation process can compare the last complete days' Demand and Energy in the validation time period to one of the following parameters configured by the RMDAPS operator:

Previous day

Same day last week

---

Same day last month

**Validation failure**

If the percentage difference between the Demand and Energy exceeds the tolerance setup in the RMDAPS validation parameters, the data subjected to the validation process fails.

**D6.2.21 Percent Change Between Intervals**

The RMDAPS validation process can utilize the Interval Percent Change Tolerance set by the RMDAPS operator on a meter channel basis in the RMDAPS meter channel table to compare the percentage change in the pulses for the channel between two consecutive intervals. If the percent change exceeds the Interval Percent Change Tolerance set for that channel, the RMDAPS validation process fails.

**D7 Data Estimation Criteria**

When interval data is missing due to there not being any response from the meter or the meter reports it as missing, RMDAPS supplies estimated data for the missing intervals based on the guidelines discussed below.

If a certified Backup Meter is available and that data is valid, the data from the Backup Meter is used to replace the invalid or missing data from the main meter. When interrogating meters on a frequency basis, the point-to-point linear interpolation method is used to estimate the current interval(s) of data. This method is normally only used when estimating one hour or less of contiguous missing interval data when the previous and next intervals are actual values from the meter. If data is missing for an extended timer period, historical data, schedules, load profiles or data obtained from SCADA can be utilized. Currently, the estimation process is performed manually using the appropriate routine below, as determined by the RMDAPS operator, based on the available information and the issue causing the need for estimation.

**D7.1 Data Estimation Methods**

The following data estimation methods are configurable by the RMDAPS operator on a meter-by-meter basis. The algorithms for each method are described below in order of precedence as implemented by the RMDAPS automatic estimation application software. The RMDAPS operators can alter this order by simply not activating a certain method. In addition, the RMDAPS operator can manually select each data estimation method at any time during the data analysis process.



### **D7.1.1 Main vs. Backup Meter**

The global primary and Backup Meters can be configured in the RMDAPS meter channel table to be compared on a channel-by-channel basis. The Backup Meter ID and channel number must be entered into the corresponding primary meter RMDAPS meter channel table record. This information remains constant unless a meter change out at the site occurs. During the RMDAPS automatic estimation process, if missing data is encountered and actual values from a certified Backup Meter are available, the values for the corresponding intervals from that Backup Meter can be substituted into the data file for the primary meter. All copied intervals are tagged as an edited interval. In order for actual values from the Backup Meter to be deemed acceptable for use in the data file that passed the validation criteria preferred to earlier in this attachment and no error codes or alarms can be set on the interval values. Meter Data from Backup Meters is only used where Meter Data is not available from the primary meter and the Backup Meter is an ISO certified meter.

### **D7.1.2 Point-to-Point Interpolation**

When reading meters on a frequency basis, the Point-to-Point Linear Interpolation Algorithm described below can be used to estimate the missing intervals of data. This method is normally only used to estimate a maximum of one hour of contiguous missing interval data when the previous and next intervals are actual values from the meter. Even though this method is not normally used above that maximum of one hour, the RMDAPS allows this maximum threshold to be set by the RMDAPS operator on a meter-by-meter basis. The same rules for defining acceptable actual values apply as detailed in main vs. Backup Meter description above. All estimated intervals are tagged as an edited interval.

#### **Point-to-Point Linear Interpolation Algorithm**

$$\text{Estimated Interval} = (\text{Next Actual} - \text{Previous Actual Interval}) / (\text{Number of Missing Intervals} + 1) + \text{Previous Actual Interval}$$

### **D7.1.3 Historical Data Estimation**

Historical data estimation is the process of replacing missing or corrupt interval data in the RMDAPS data files. The data is replacing using historical data as a reference. There are two basic requirements when estimating data to be inserted or replaced:

The amount of data to add or replace

The shape or contour of the data over the time span requested

### D7.1.4 Estimation Parameters

The following estimation parameters can be used on a per meter basis:

Auto Plug (Y/N)	Controls the option to perform automatic estimation
Auto Plug Option (W/C/P/L)	Indicates where to get the reference data used in the estimation process: W - use the previous week as the reference data (all data for the week must be present). C – use the current month as reference data. P - use the previous month as reference data. L - use the current month of last year as reference data.
Reference ID	ID from which the reference data is retrieved. The contour of the data is determined from this ID. The Reference ID can be the same as the meter ID (i.e. use historical data from the same meter) or a different Reference ID.
Auto Plug Missing Days Limit	Verifies that the number of missing days of data is less than the missing day limit in order to invoke automatic estimation
Auto Plug Reference Data %	Identifies a percent adjustment for situations where there is a need to factor the reference data by a percent increase or decrease. If this value is set to "0", the adjustment is not performed.
Auto plug Power Outage	Indicates if intervals with a power outage status are to be estimated/replaced automatically.
Reference Tim Span	Identifies the reference time span for the historical data.

### D7.1.5 Total Data

The estimation algorithm used depends on the total amount of data to be added or replaced and the shape of that data. The RMDAPS operator can give the total data or that can be calculated to balance the meter usage in the file. The shape of the data is defined with the use of the reference data.

## D8 Editing

All estimated intervals are tagged as an edited interval in RMDAPS. The CAISO RMDAPS operator may provide the Metered Entity of the edited interval start and stop times, new value and technique used to estimate the data upon request.

---

If estimation and editing is frequently required for the Meter Data received from a particularly metered entity, CAISO may require recertification and or facility maintenance or repair to correct the continued provision of erroneous or missing data.

## **Attachment E**

# **CAISO AUDIT OF CERTIFIED METERING FACILITIES**

---

## Attachment E: CAISO Audit of Certified Metering Facilities

CAISO representatives audit Metering Facilities to ensure revenue data reliability. CAISO audit of Metering Facilities is a SAS-70<sup>7</sup> Type II audit standard. Site audits involve mandatory visits to CAISO Metered Entity sites. CAISO Metered Entity meters include all meters designated as CAISO meters, regardless of their polled status.

- 1) CAISO requests a clearance to the Metering Facility in order to conduct a site audit.
- 2) CAISO conducts the mandatory audit by comparing values and information against data on file with the CAISO. CAISO Meter Engineer performs the following:
  - a) Record and compare seal numbers with the last site inspection or audit. Verify that CAISO approved seals are used where seals are required.
  - b) Compare the register constant, current and voltage ratios in the meter's program to ensure the integrity of the data
  - c) Verify the values that the meter uses to communicate the data to the CAISO RMDAPS system
  - d) Verify the password on polled meters
  - e) Change the password on non-polled meters
  - f) Perform meter time correction if the meter's time is off more than +/- (1) minute (time verification are made before a site visit and compared with the United States Naval Observatory and updated on the Meter Engineer's laptop).
  - g) Conduct comparison of the load and or the generation to verify the display, recorder files and the RMDAPS channel.
  - h) Affix a CAISO Revenue Metering audit sticker on all meters audited.

---

<sup>7</sup> Statement on Auditing Standards No. 70

---

### 3) Meter Maintenance

CAISO reports damaged meters, or meters requiring maintenance, and any other meter-related problem found during an audit to the Metering Facility contact.

### 4) Meter Site Security

CAISO reports any revenue meter test switches or shorting switches for the current circuit and the voltage circuit (if one exists) found unsealed. CAISO ensures that the meter meets the meter site security requirements as detailed in section 5.1.4 of this BPM.

### 5) Audit Results

CAISO completes an internal Metering Site Audit Form and updates the Metering Facility file for each meter audited.

## **Attachment F**

# **STATION POWER REALLOCATION EXAMPLE**

## Attachment F: Station Power Reallocation Example

The following is an example assuming a Netting Period of 10 time periods with a Station Power Portfolio including 3 sites all separated by CAISO Controlled Grid where each site has a Station Power Load meter and an on-site generating facility. For a calendar month with 30 days, there 4,320 time periods for a unit in a Station Power Portfolio (6 ten-minute intervals per hour \* 24 hours \* 30 days)

METER DATA REALLOCATION PROCESS																	
ASSIGNMENT OF REMOTE SELF-SUPPLY AND THIRD PARTY SUPPLY TO SITES AND TIME PERIODS																	
"Netting Period" in this example is 10 Time Periods																	
Time Period																	
Sites:	Gen/Load	1	2	3	4	5	6	7	8	9	10	(1) Monthly Net Generation	(2) Total Station Power Draws	(3) Rank for Allocation	(4) Allocation of Third Party Supply	(5) Remote Self-Supply	Sum of Net Load
Site 1	Ch 1	1.3	2.4	2.1	1.9	2.3	2.4	2.0	2.0	2.0	2.0	13.6	20.4	NA	0	0	19.1
	Ch 4	34.0	0.0	0.0	0.0	0.0	0.0	0.0	0.0	0.0	0.0						
	Net Load	0.0	2.4	2.1	1.9	2.3	2.4	2.0	2.0	2.0	2.0						
Site 2	Ch 1	1.0	2.0	3.0	2.0	2.0	3.0	3.0	2.0	2.0	3.0	-21.0	23.0	1	21	0	22.0
	Ch 4	2.0	0.0	0.0	0.0	0.0	0.0	0.0	0.0	0.0	0.0						
	Net Load	0.0	2.0	3.0	2.0	2.0	3.0	3.0	2.0	2.0	3.0						
Site 3	Ch 1	2.0	2.0	2.0	2.0	2.0	2.0	2.0	2.0	2.0	2.0	-20.0	20.0	2	6.4	13.6	20.0
	Ch 4	0.0	0.0	0.0	0.0	0.0	0.0	0.0	0.0	0.0	0.0						
	Net Load	2.0	2.0	2.0	2.0	2.0	2.0	2.0	2.0	2.0	2.0						
<b>Portfolio</b>												<b>Total</b>	<b>-27.4</b>	<b>63.4</b>	<b>27.4</b>	<b>13.6</b>	<b>61.1</b>
<b>(6) On-Site Self-Supply Load ID</b>																	
Time Period																	
	1	2	3	4	5	6	7	8	9	10	Total						
Site 1	1.3	2.4	2.1	1.9	2.3	2.4	2.0	2.0	2.0	2.0	20.4	Meter Data Assumptions					
Site 2	1.0	0.1	0.1	0.1	0.1	0.1	0.1	0.1	0.1	0.1	2.0						
Site 3	0.0	0.0	0.0	0.0	0.0	0.0	0.0	0.0	0.0	0.0	0.0						
	<b>Total</b>										<b>22.4</b>						
<b>(7) Third Party Supply Load ID</b>																	
Time Period																	
	1	2	3	4	5	6	7	8	9	10	Total						
Site 1	0.0	0.0	0.0	0.0	0.0	0.0	0.0	0.0	0.0	0.0	0.0						
Site 2	0.0	1.9	2.9	1.9	1.9	2.9	2.9	1.9	1.9	2.9	21.0						
Site 3	0.6	0.6	0.6	0.6	0.6	0.6	0.6	0.6	0.6	0.6	6.4						
	<b>Total</b>										<b>27.4</b>						
<b>(8) Remote Self-Supply Load ID</b>																	
Time Period																	
	1	2	3	4	5	6	7	8	9	10	Total						
Site 1	0.0	0.0	0.0	0.0	0.0	0.0	0.0	0.0	0.0	0.0	0.0						
Site 2	0.0	0.0	0.0	0.0	0.0	0.0	0.0	0.0	0.0	0.0	0.0						
Site 3	1.4	1.4	1.4	1.4	1.4	1.4	1.4	1.4	1.4	1.4	13.6						
	<b>Total</b>										<b>13.6</b>						
<b>Notes:</b>																	
(1) Monthly Net Generation is Gross Generation less Gross Load over the Netting Period. If the value is positive for an individual site, then On-Site Self Supply is attributed to serving that site's Station Power load for the month. If the value for any individual site is negative, then Station Power load exceeded On-Site Self Supply in the Netting Period for each such site (i.e., a deficit in On-Site Self Supply existed). If the Total for the portfolio is positive, then Remote Self Supply is attributed to serving any deficits in On-Site Self Supply. To the extent that the Total for the portfolio is negative, then Third Party Supply has served Station Power in the portfolio.																	
(2) The Station Power Draw is net Station Power load when a unit is off line, or generating less than its Station Power load. Total Station Power Draws represent the total Station Power Load excluding the Station Power that is netted under Permitted Netting.																	
(3) When Third Party Supply is used, the magnitude of the Total Station Power Draws in the Netting Period is used to allocate Third Party Supply to each site. The site with the highest Total Station Power Draws will be allocated Third Party Supply until its negative Monthly Net Generation is fully served. If Third Party Supply remains to be allocated, then it is allocated to the site with the second highest Total Station Power Draws, and so on until the Third Party Supply is completely allocated.																	
(4) The result of the assignment of Third Party Supply to each site as described in Note 3 is shown here.																	
(5) Remote Self-Supply is attributed to serving any remaining Monthly Net Generation that is not assigned Third Party Supply as described in Note 3.																	
(6) When Monthly Net Generation for an individual site is positive, then all of Station Power load is recorded onto the On-site Self-Supply Load ID for each period in the Netting Period. Zero load values should be recorded on that site's Remote Self-Supply and Third Party Self-Supply Load IDs.																	
(7) The amount of Third Party Supply assigned to each site is distributed pro rata to the time periods in which each such site had a Station Power Draw. The assignment to each time period is: (Station Power Draw in that time period / Total Station Power Draws for that Site) X Allocation of Third Party Supply to that site. The site/time period allocation is to be used for rebating the cost of wholesale power.																	
(8) Remote Self-Supply is assigned to each hour in the Netting Period as the difference between the Station Power load to be served and the amount of Third Party Supply assigned in that hour.																	



## **Attachment G**

# **TECHNICAL METERING SPECIFICATIONS FOR DISTRIBUTED ENERGY RESOURCE (DER) DEVICES (IF NO LRA STANDARDS EXIST)**

---

## Attachment G: Technical Metering Specifications for DER Devices (If No LRA Standards Exist)

### I. Device Configuration Criteria

#### A. Standard Device Memory Channel Assignments

The Device shall have at least 2 channels, preferably 4. The device shall be capable of measuring both load and generation.

### II. Standards for DER Devices

The standards referred to in this section apply to DER Devices when the relevant Local Regulatory Authority has not set any standards.

#### A. General Standards for Three Phase Metering

Devices must meet the following general standards:

- They must be revenue quality with a 0.2 Accuracy Class.
- They must be remotely accessible, reliable, 60 Hz, three phase, bi-directional, programmable and multifunction electronic Devices certified for correct operation at the service voltage. If the device is single phase, please refer to Section III, Single Phase Metering.
- They must be capable of measuring kWh and kVARh and providing calculated three phase values for kVAh, kVA.
- They must have a demand function including cumulative, rolling, block interval demand calculation and maximum demand peaks.
- There must be battery backup for maintaining RAM and a real-time clock during outages of up to 60 days.
- They must be capable of being powered either internally or externally from an AC source. It is recommended that all meters have an auxiliary source or emergency backup source of power to avoid loss of data.
- They must be capable of providing data to the data collection system used by the Scheduling Coordinator.
- They must be capable of providing interval data at granularity required based on market participation.
- They must be capable of 60 days storage of kWh, KVARh, and/or 4 quadrant interval data

---

**B. ACCURACY****1. Factory Calibration**

The Device shall be calibrated to provide the following level of accuracy:

- a) 0.2% at full load at power factor of 100%;
- b)  $\pm 0.25\%$  at full load at power factor of 50% lag;
- c)  $\pm 0.25\%$  at full load power factor at 50% lead; and
- d)  $\pm 0.25\%$  at light load at power factor of 100%.

**2. Test Equipment**

Device accuracy and calibration tests, both for shop and field, require only standard test equipment that have an accuracy of at least  $\pm 0.05\%$  or better. All the Devices used on the system are required to have accuracy of at least  $\pm 0.25\%$ . No special laboratory-type test equipment or test procedures are required to assure the accuracy of the Device.

**3. Accuracy Test**

This test confirms the accuracy of the Device:

- a) The accuracy of the Device is tested for all combinations of the following conditions:
  - (1) at ambient temperature, 85°C and -20°C;
  - (2) at power factors of 100%, 50% lag and 50% lead; and
  - (3) at 0% to 120% of class current;
- b) Accuracy curves are provided for all combinations of the conditions; and
- c) To pass this test, the Device has the indicated accuracy at ambient temperature for the following load conditions:
  - (1)  $\pm 0.2\%$  at Full load at power factor of 100%;
  - (2)  $\pm 0.25\%$  at Full load at power factor of 50% lag;
  - (3)  $\pm 0.25\%$  at Full load at power factor of 50% lead; and
  - (4)  $\pm 0.25\%$  at Light load at power factor of 100%.

---

**C. SAFETY****1. Hazardous Voltage**

Hazardous voltages are not easily accessible with the Device cover removed.

**2. Grounding**

All accessible conductive parts on the exterior of the Device and conductive parts that are accessible upon removal of the Device cover are to be electrically connected to the Device grounding tabs. All connections in the grounding circuit are made with an effective bonding technique.

**3. Toxic Materials**

No materials that are toxic to life or harmful to the environment are exposed in the Device during normal use.

**4. Fire Hazard**

Materials used in the construction of the Device do not create a fire hazard.

**III. Single Phase Metering:**

The ISO recognizes that DER aggregations may consist of resources that are at a single phase service connection. SCMEs representing a DER Aggregation must meet the requirements of the Utility Distribution Company or applicable distribution company associated with single phase metering.

## **Attachment H**

# **DATA VALIDATION, ESTIMATION AND EDITING (VEE) FOR DER DEVICES**

---

## Attachment H: Data Validation, Estimation and Editing (VEE) for DER DEVICES

This attachment provides guidelines that Scheduling Coordinators can utilize to perform VEE on DER Device data in the absence of LRA criteria for a type of given DER. The SC should use its best judgment to select the validation routines used. Described below are the validations that are required by CAISO, as well as suggested validations. The CAISO may from time to time review the validation routines being used to assure that VEE objectives are being achieved and update this BPM.

### I. Validation

#### A. Timing of Validation

Device data should be retrieved on an appropriate cycle to give the SC adequate time to complete VEE prior to submitting to the CAISO.

#### B. Data Validation Conditions of Device Hardware

The validation system used shall detect the following conditions so that erroneous data is not used for Settlement or billing purposes.

Validation shall detect the following hardware failures:

- Hardware/firmware failures
- Communication errors
- Data which is recorded during Device tests
- Mismatches between the Device configuration and host system, if applicable
- Measuring Device change outs
- Gaps in data
- Overflow of data within an interval
- ROM/RAM errors reported by the Device
- Alarms/phase errors reported by the Device

#### C. Validation Failure

Data that fails validation shall be flagged with the reason for the failure, where applicable. Data that fails checks shall be identified so that manual intervention can be used to estimate the correct values in order to edit the data or to manually accept the data.

## D. Validation Elements

### 1. Required Validation Elements

The DER owner shall set and monitor the following validation criteria within their data collection system:

Term	Description
Energy Tolerance	Comparison of two separate measurements i.e. meter readings (start/stop) vs. recorder data (pulses) for any given time period.
Intervals Found vs. Intervals Expected	The data collection system shall calculate the expected number of time intervals between the start and stop time of the data profile file and compare that number against the actual number of time intervals found in the data file. The calculation used to determine the expected number of time intervals will take into account the size or duration of the actual time intervals for the particular Device/data file (5 min or 15 min interval sizes).
Time Tolerance	When the data collection system retrieves data from Device, the data collection system workstation clock is compared against the Device clock. A time tolerance parameter (in seconds) shall indicate the allowable difference between the workstation clock and the Device clock.
Power Outage Intervals	Device shall record a time stamped event for each occurrence of a loss of AC power and a restoration of AC power. During the data retrieval process, the data collection system shall flag each interval between occurrences of AC power loss and AC power restoration with a power outage status bit.
Missing Intervals	The validation process shall compare the stop and start times of two consecutive pulse data files for a Device and report if a missing interval/gap exists.
High/Low Limit Check on Interval Demand	The validation process shall compare the Demand High/Low Limits entered by the data collection system operator on a Device basis in the Device table against the actual values collected from the Device. This comparison is performed on an interval-by-interval basis. If the actual values are either less than the Low Limit or greater than the High Limit, then the validation process fails.
CRC/ROM/RAM Checksum Error	A CRC (cyclic redundancy check) or checksum is used to ensure that the data sent and received with the device being interrogated is correctly transferred. A CRC/checksum error

Term	Description
	may indicate a problem with the physical connection with the meter or the communication channel is too noisy to allow an interrogation to complete.
Meter Clock Error	This Device hardware error condition can occur whenever an internal hardware clock error results in an invalid time, day, month, year, etc.
Hardware Reset Occurred	This Device hardware error condition occurs whenever an internal Device hardware reset occurs.
Watchdog Timeout	This feature watches for Device inactivity, indicating a possible failure.
Time Reset Occurred	Code or flag shall indicate that the Device time has been reset. See Time Tolerance.
Data Overflow in Interval	Code or flag occurs when the amount of data in an interval exceeds the memory capabilities of the Device to store the data. This alerts the data collection system that there is corrupt data for the interval.

## 2. Suggested Data Validation Elements

The data elements below are not required but should be considered when selecting/creating a data collection Device.

Term	Description
Parity Error	Parity error is another indicator of corrupted data.
Alarms (From Device)	The data collection system is capable of producing a validation alarm failure based on parameters being monitored.
Load Factor Limit	The validation process shall compare the daily Load Factor to the limit entered by the operator. The data collection system shall prompt the operator to investigate data integrity if the limit is out of tolerance.



Term	Description
Main vs. Backup Device Tolerance	<p>The main and check Backup Devices can be configured in the data collection system to be compared on a channel by channel basis to the Backup Device ID, channel number, percent tolerance allowance and the type of check. Interval or daily Device Data is entered into the corresponding Main Device channel table record. This information remains constant unless:</p> <ul style="list-style-type: none"> <li><input type="checkbox"/> A Device change out occurs at the site</li> <li><input type="checkbox"/> The percent tolerance allowance needs adjusting</li> <li><input type="checkbox"/> The type of check is switched</li> </ul> <p>If the percentage difference between the main channel interval Demand and the check channel interval Demand exceeds the Percent Tolerance allowed, the validation fails. If, after applying this validation test, the percentage difference between the main channel total Energy and the check channel total Energy for each Trading Day exceeds the allowed percentage, the validation fails. In both cases, if the percentage difference is less than the Percent Tolerance allowed, the validation is accepted.</p>
Percent Change Between Intervals	<p>The validation process can utilize the Interval Percent Change Tolerance set by the data collection system operator on a Device channel basis in the Device channel table to compare the percentage change in the pulses for the channel between two consecutive intervals. If the percent change exceeds the Interval Percent Change Tolerance set for that channel, the validation process fails.</p>

## II. Data Estimation

When interval data is missing due to there not being any response from the Device or the Device reports it as missing, estimated data for the missing intervals should be based on the guidelines discussed below.

- If a Backup Device is available and that data is valid, the data from the Backup Device is used to replace the invalid or missing data from the Main Device.
- When interrogating Devices on a frequency basis, the point-to-point linear interpolation method is used to estimate the current interval(s) of data. This method should only be used when estimating one hour or less of contiguous missing interval data when the previous and next intervals are actual values from the Device.
- Historical data, plant logs, *schedules (if available)*, *real time data (I)*, or load profiles (if applicable) can be used for missing data associated with extended time periods when performing VEE.
- For auditing/tracking purposes all edit intervals should be tagged.